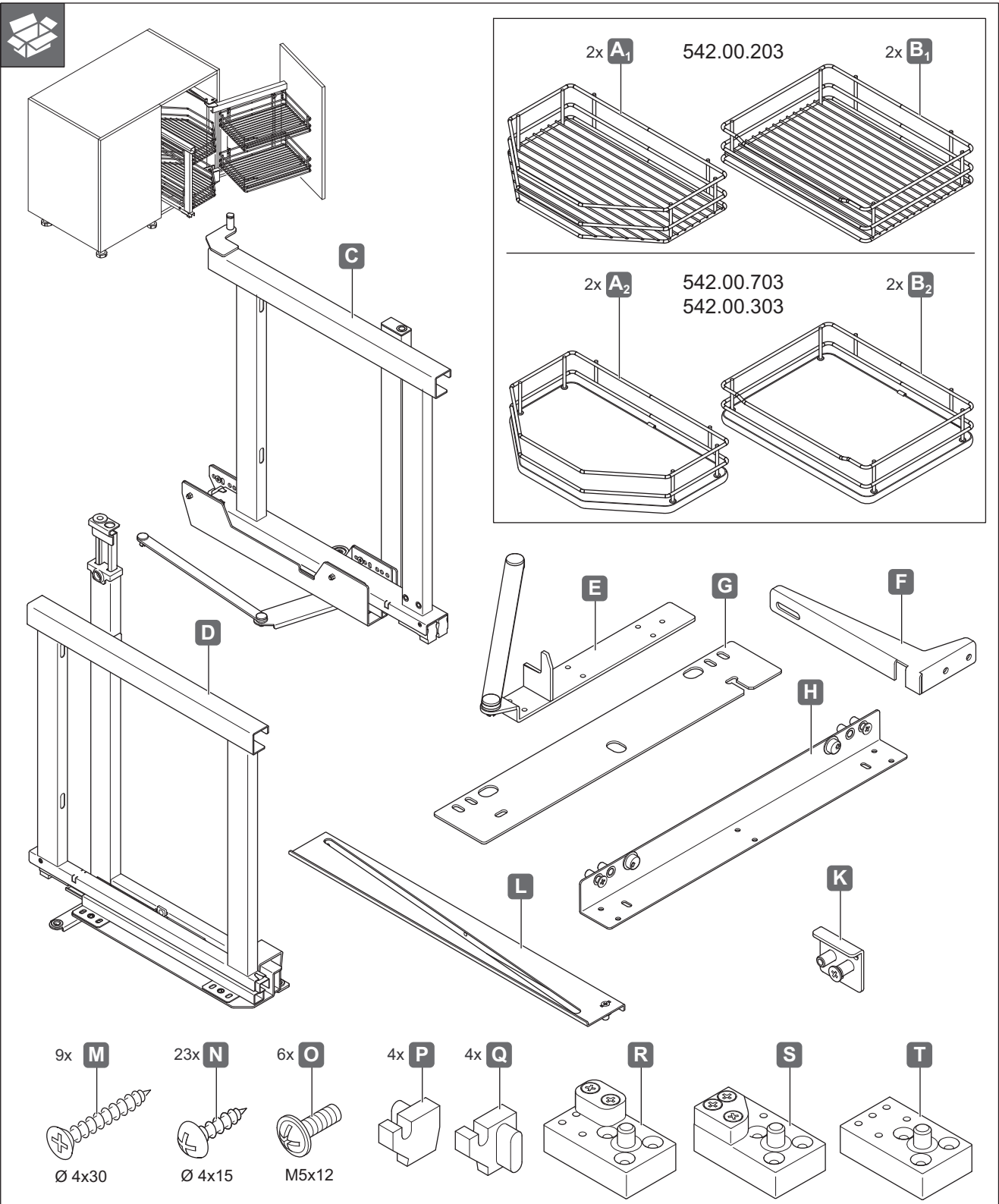
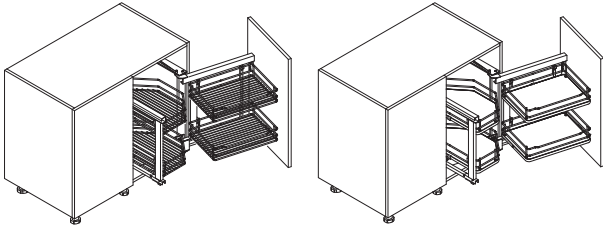


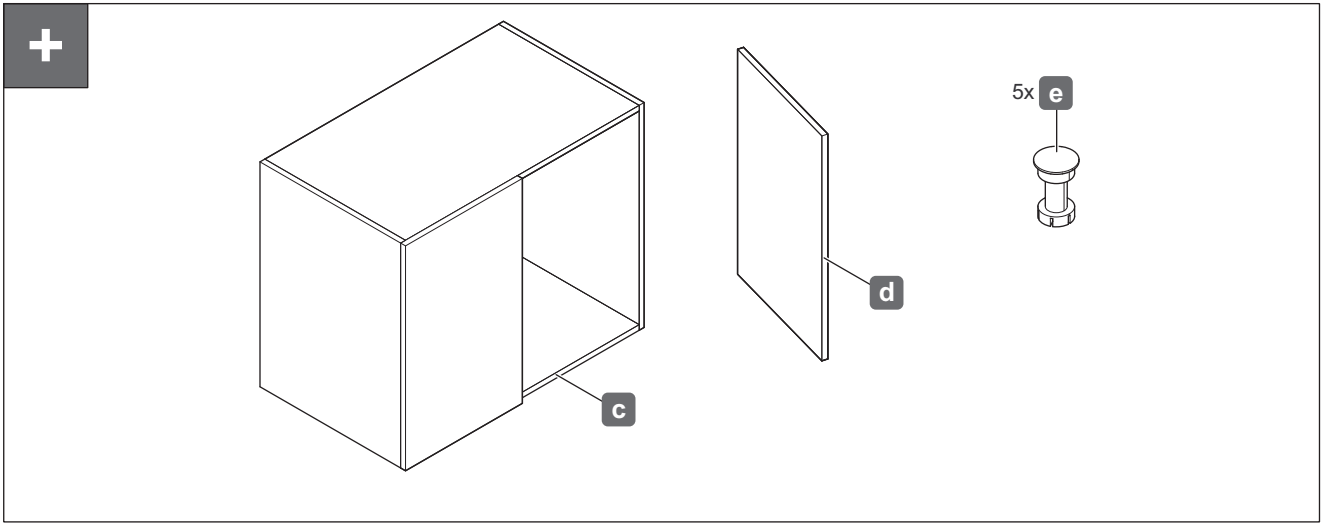


542.00.203
542.00.303
542.00.703



732.25.121

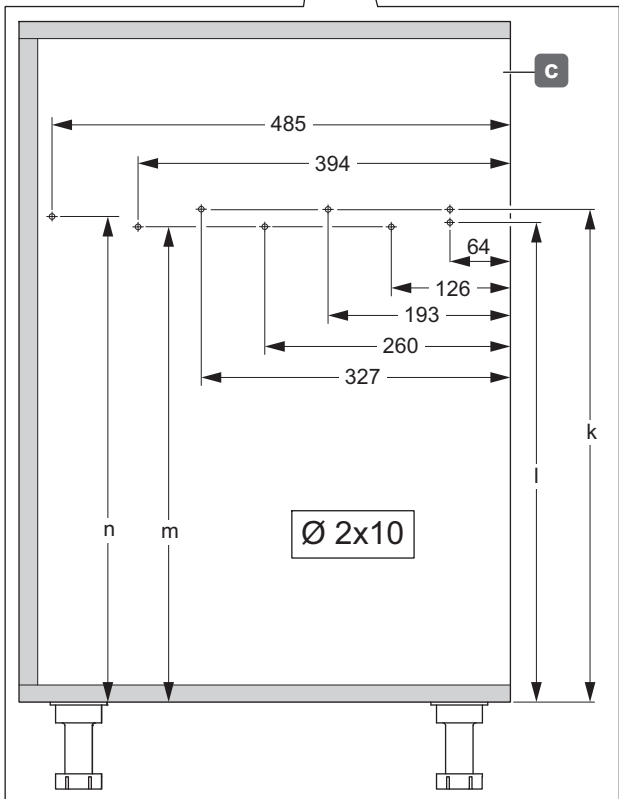
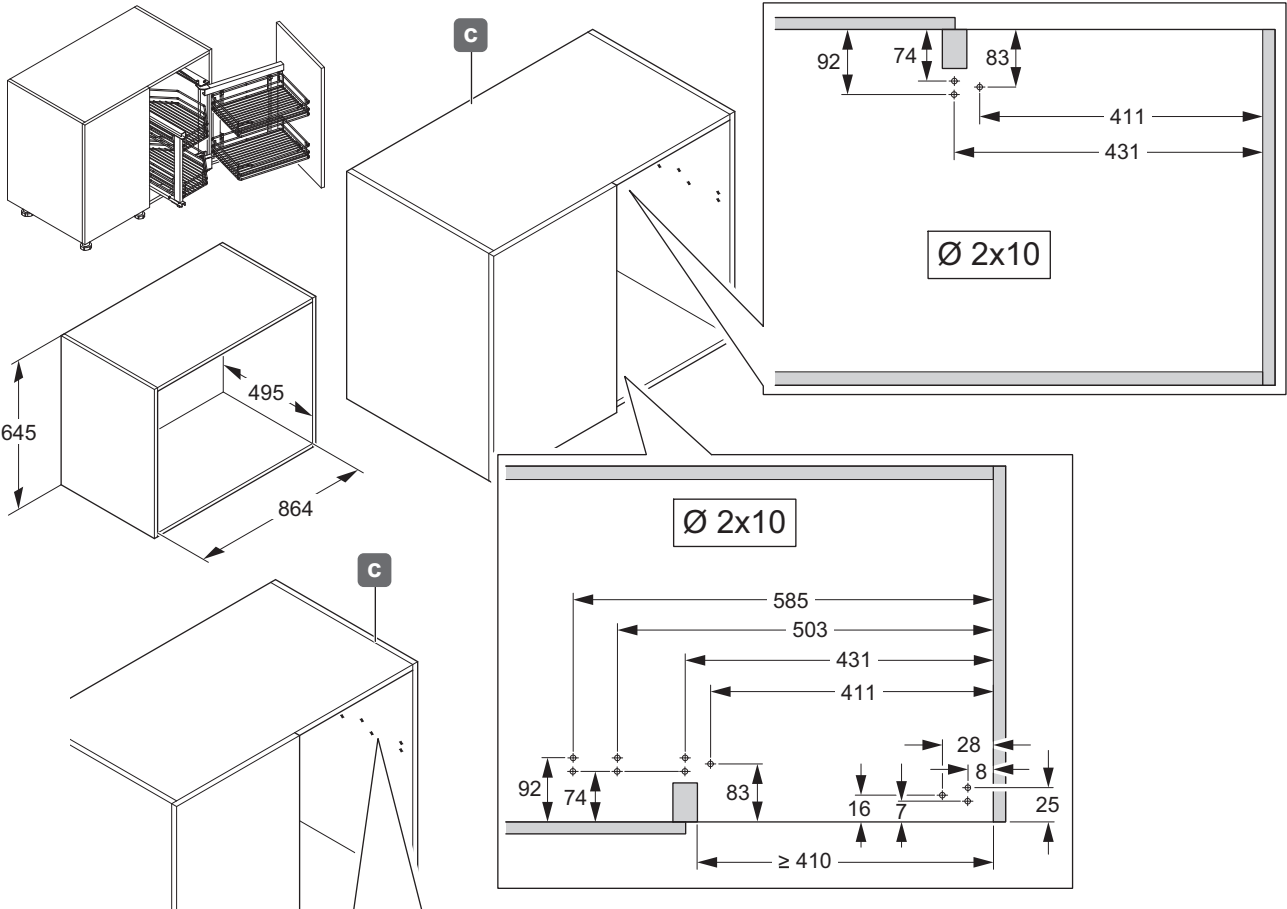
HDE 12.04.2021

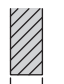
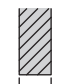


i



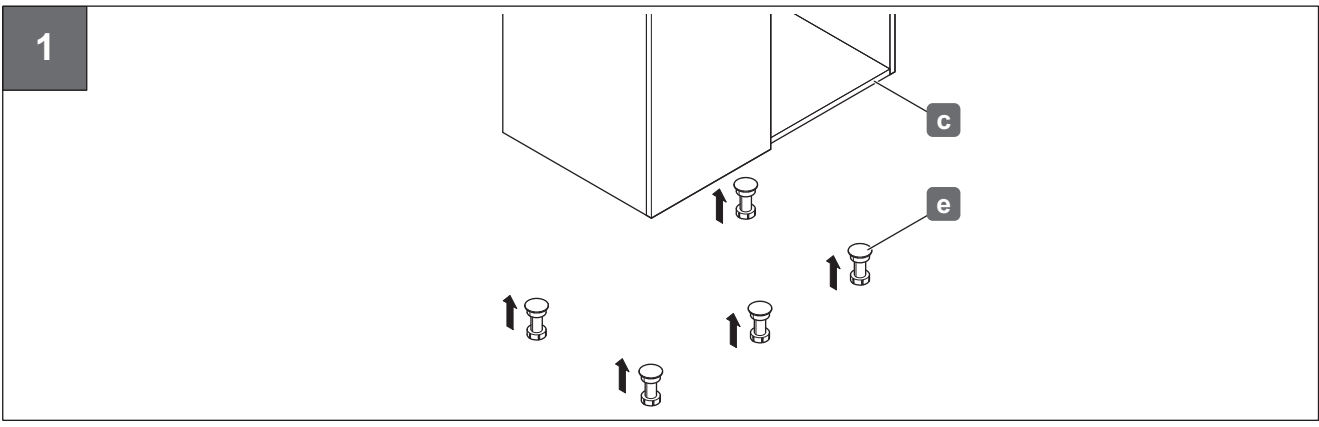
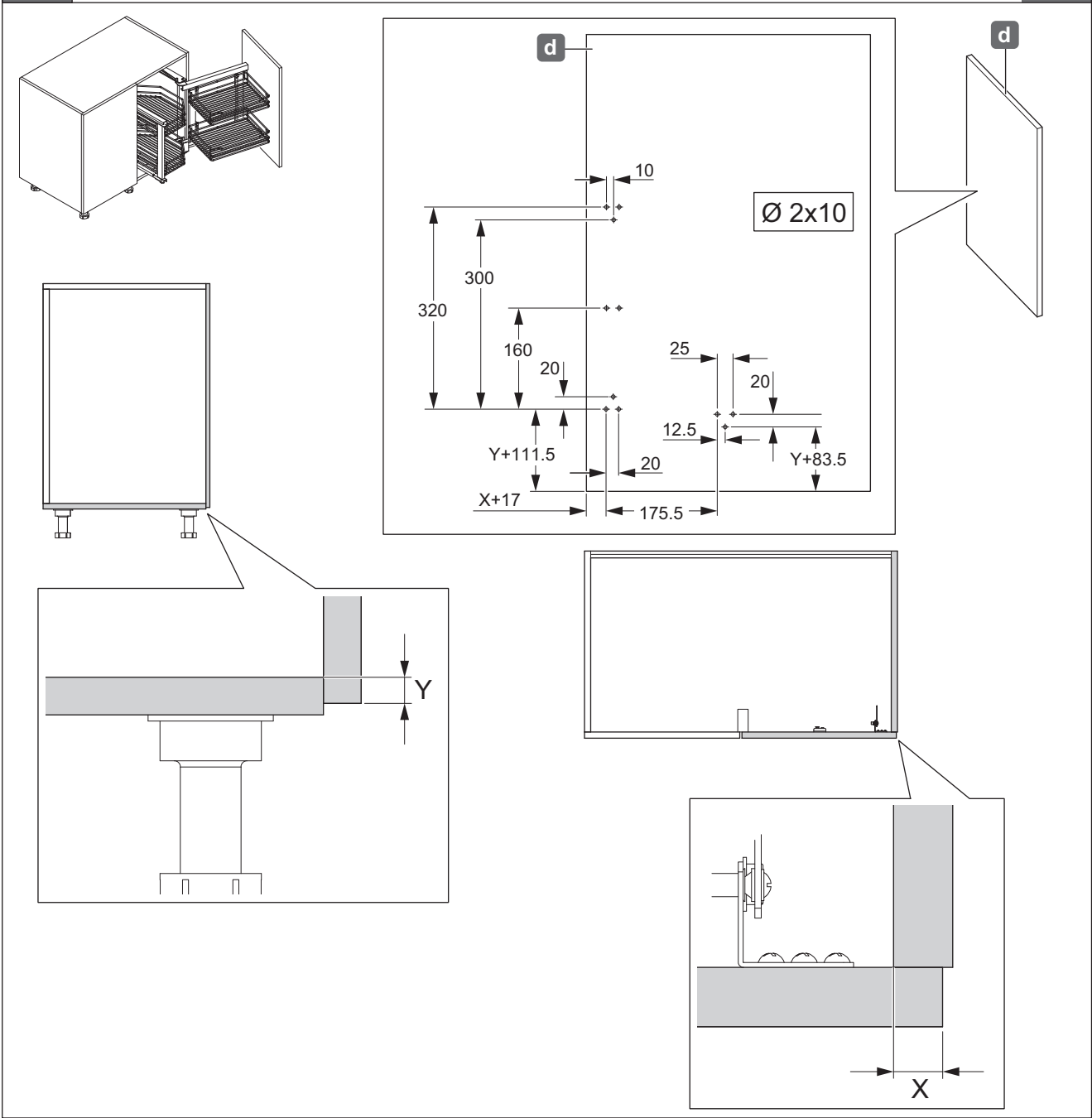
„mm“



 16 mm	k	519 mm	 18/19 mm	k	521 mm
	l	509 mm		l	511 mm
	m	501 mm		m	503 mm
	n	511 mm		n	513 mm

732.25.121

HDE 12.04.2021



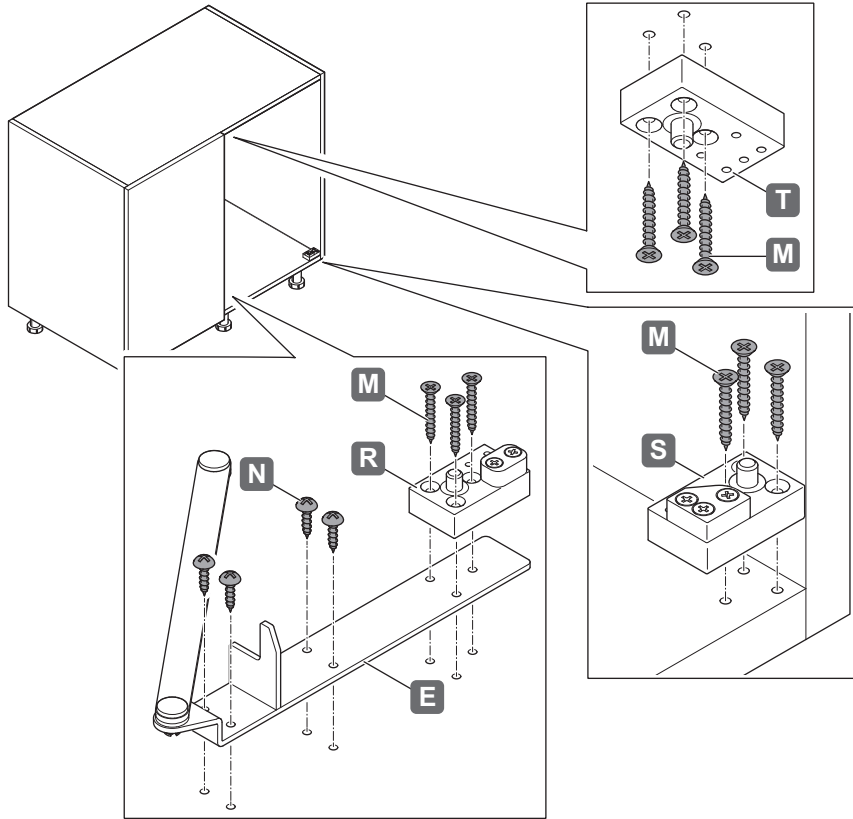
732.25.121

HDE 12.04.2021

2



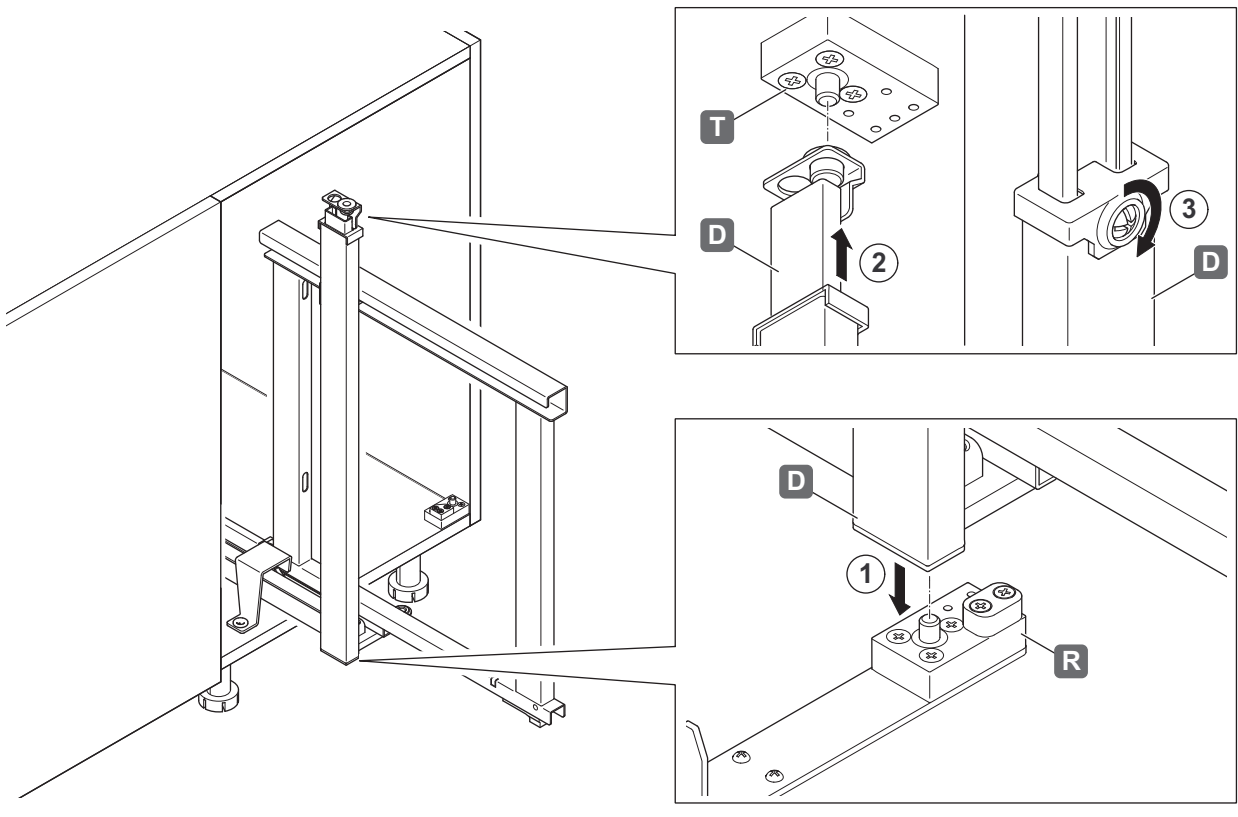
PZ 2



3

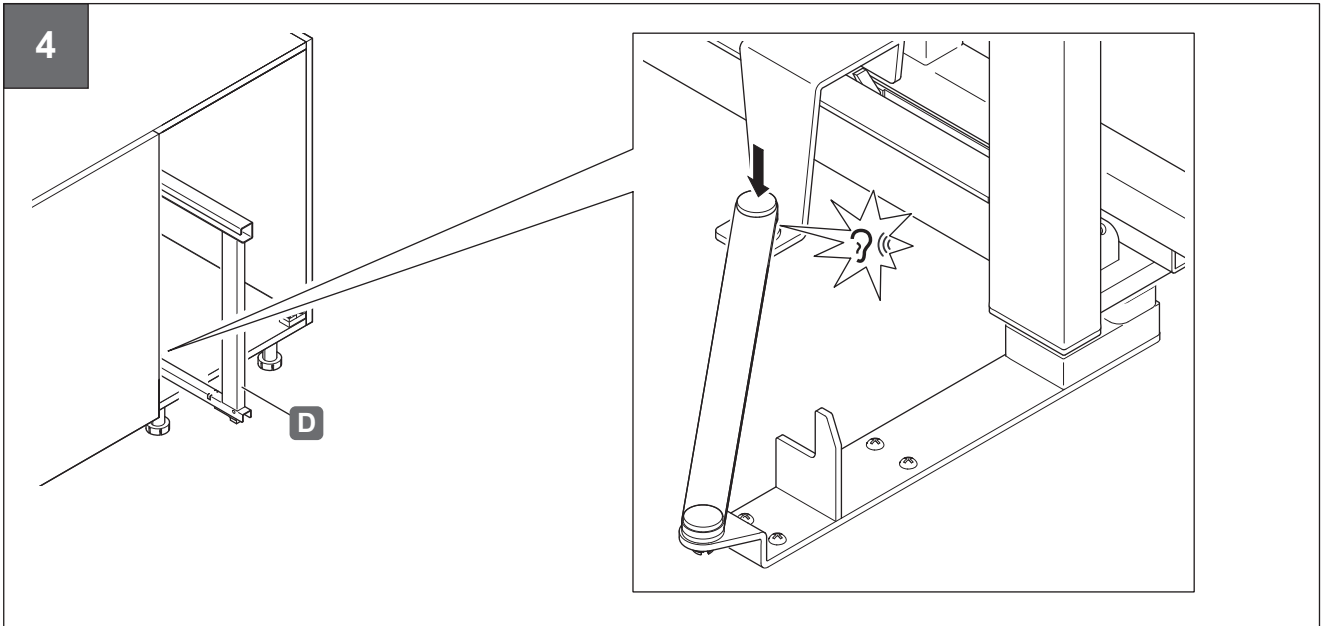


PZ 2

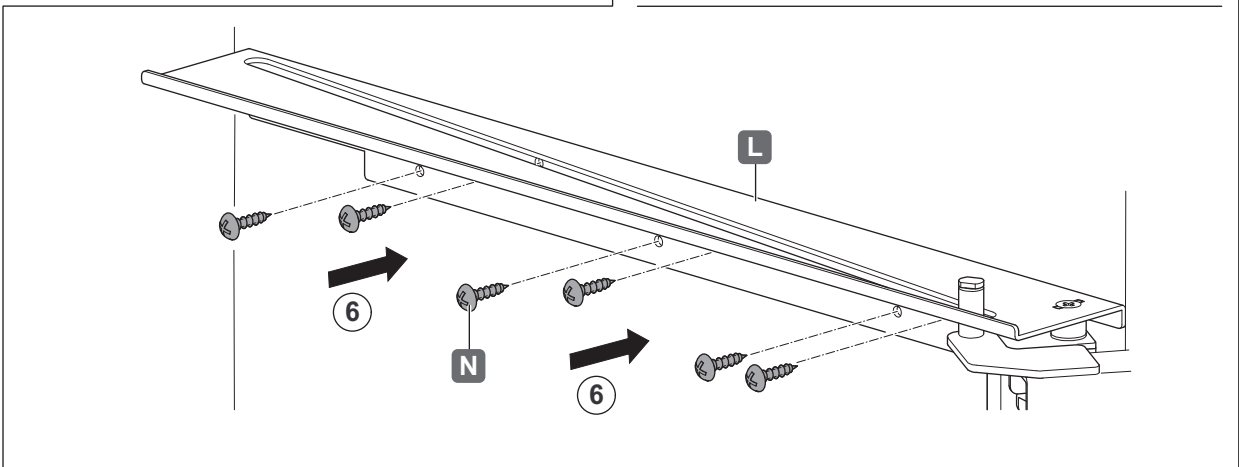
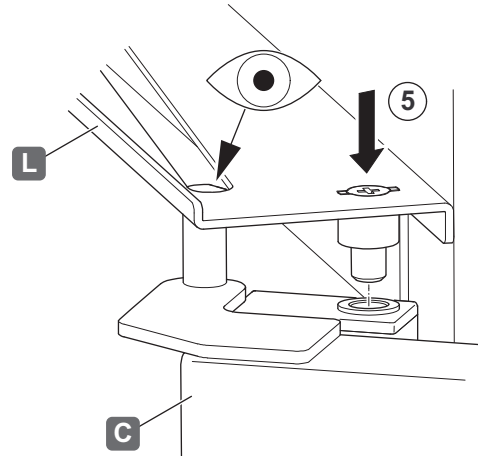
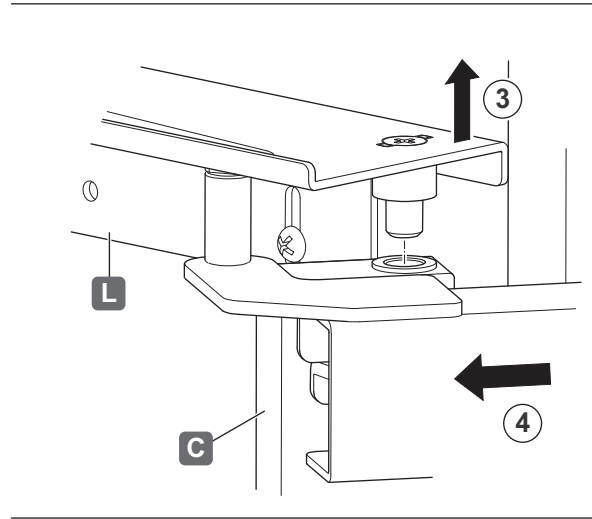
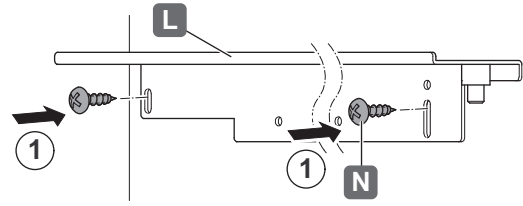
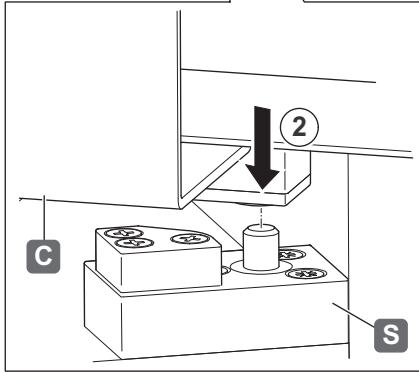
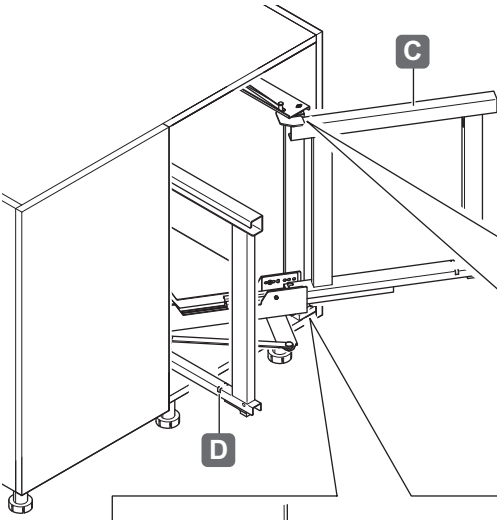


732.25.121

HDE 12.04.2021

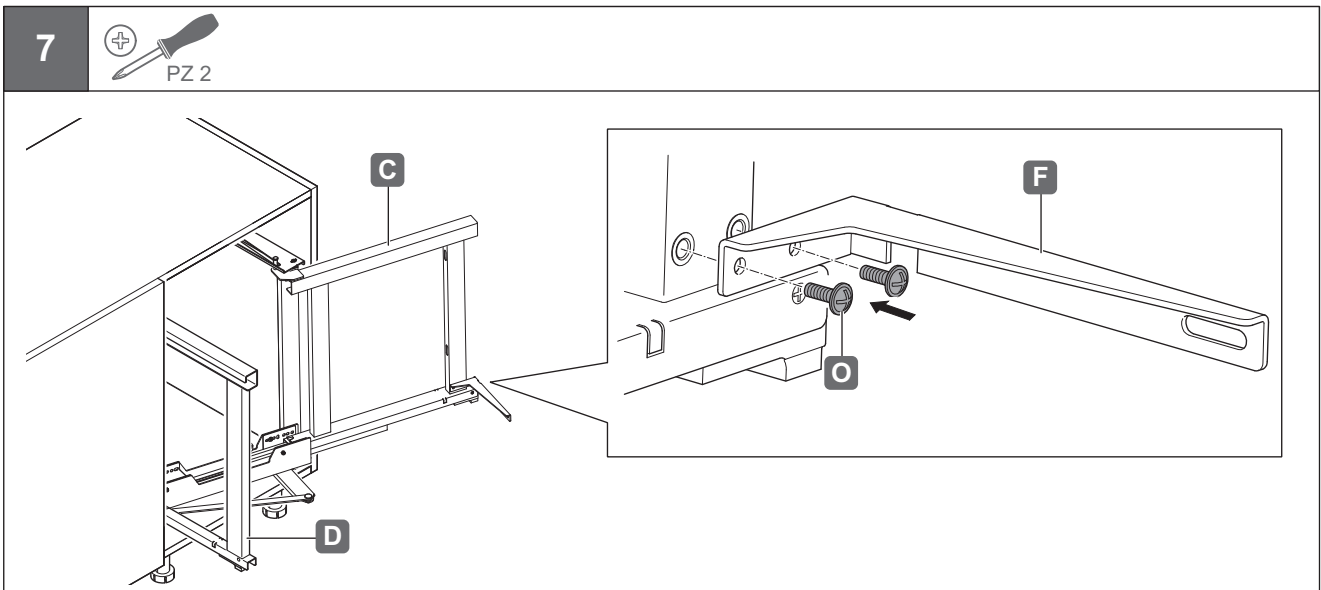
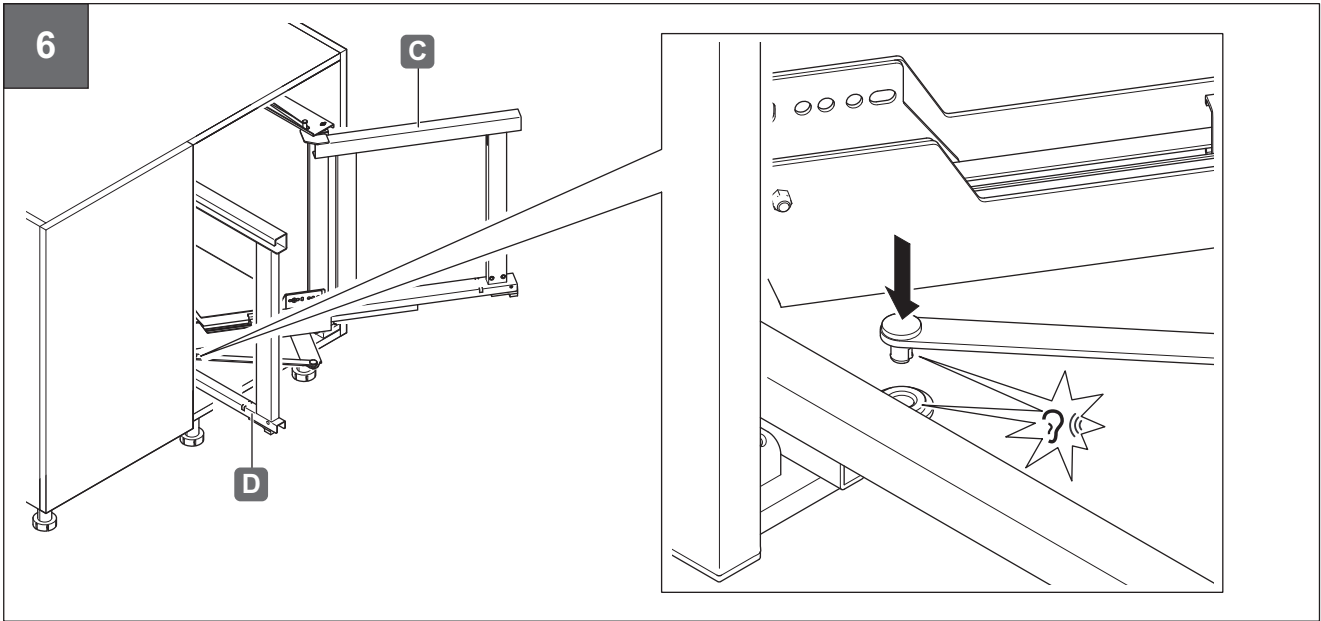


5



732.25.121

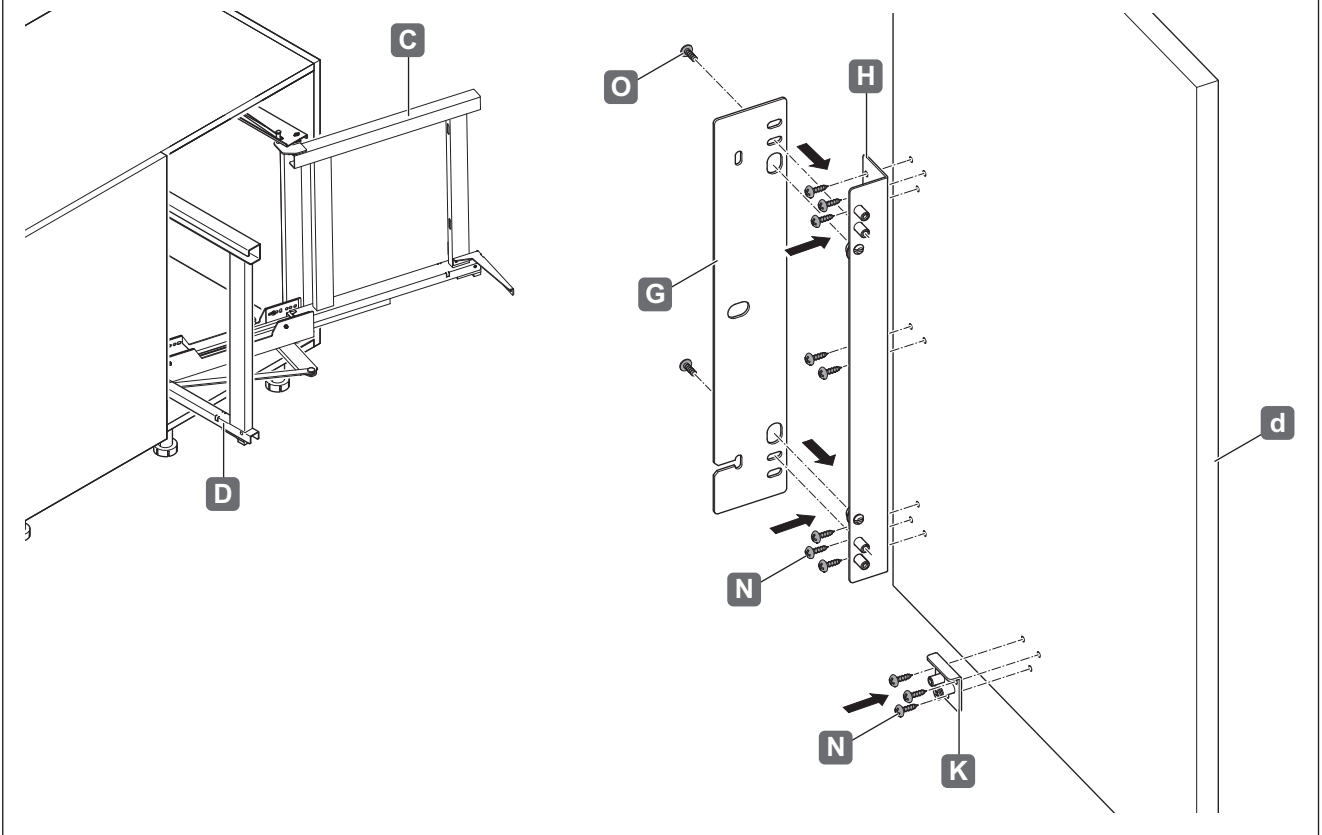
HDE 12.04.2021



8



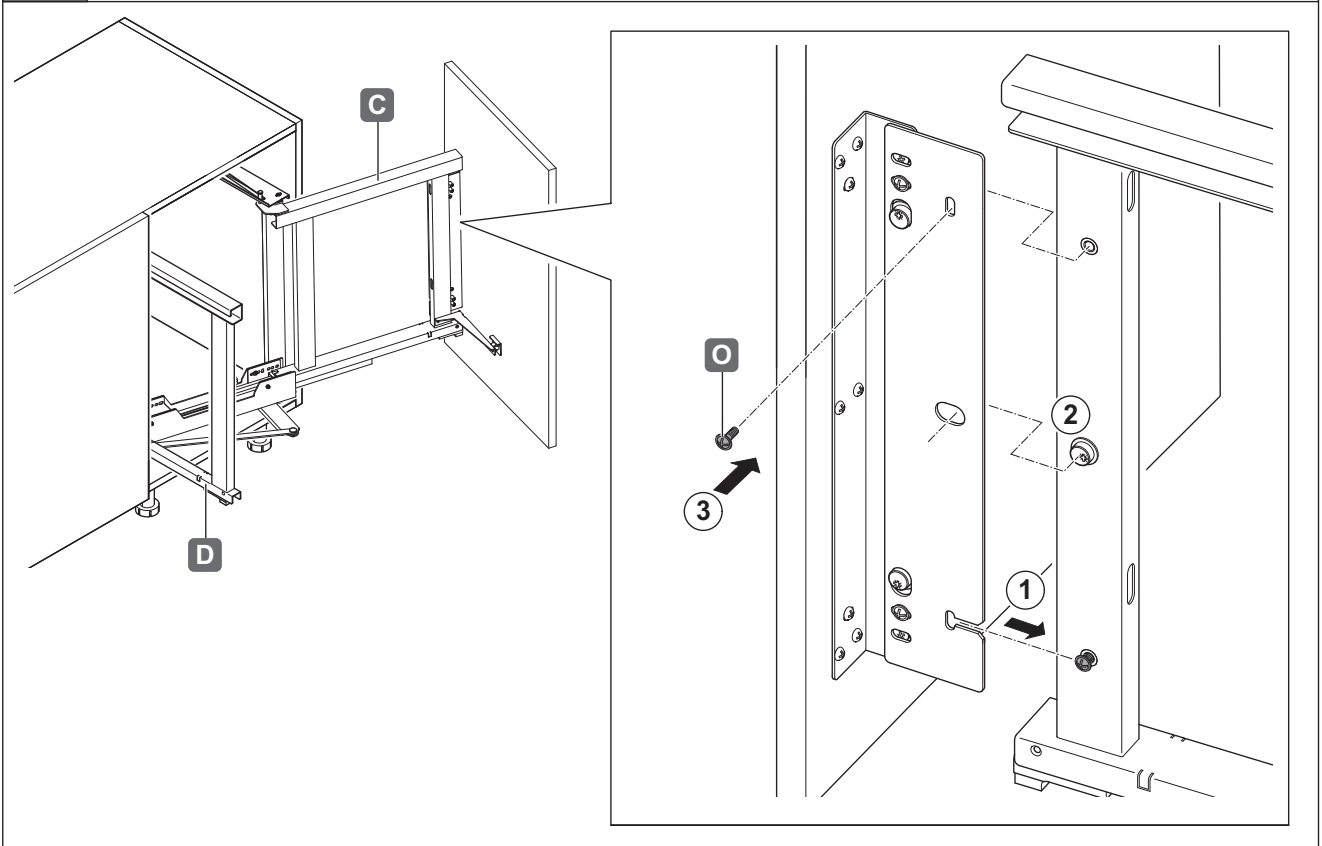
PZ 2



9



PZ 2



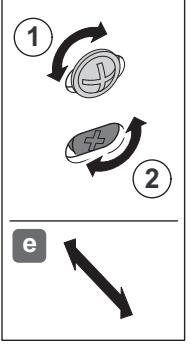
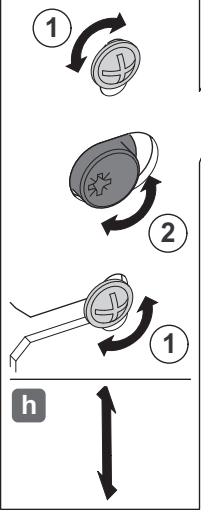
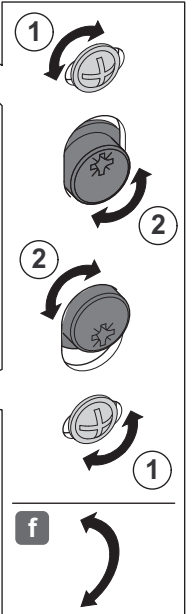
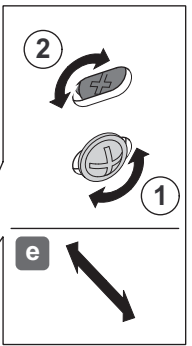
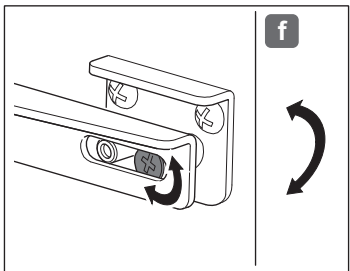
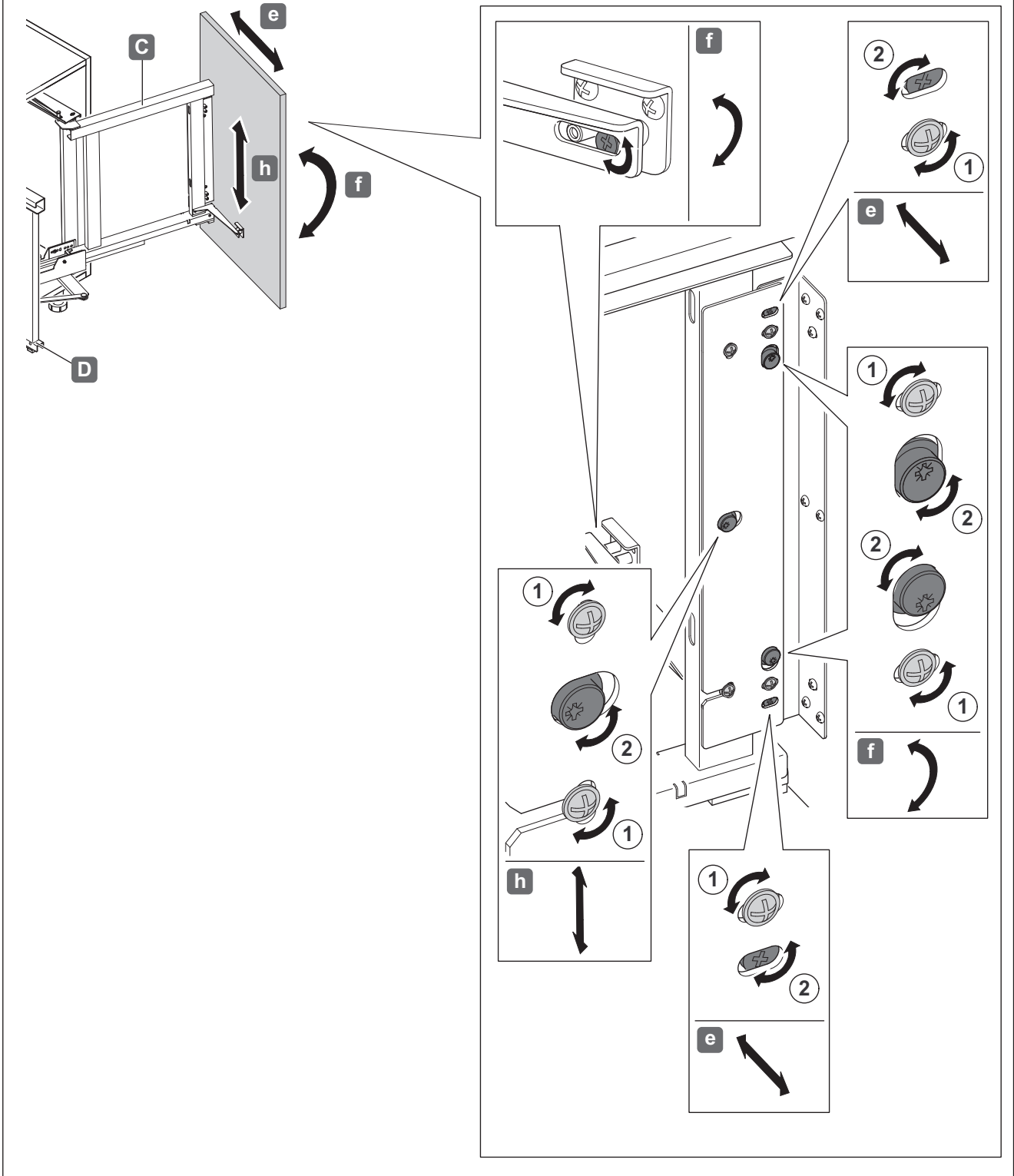
732.25.121

HDE 12.04.2021

10



PZ 2



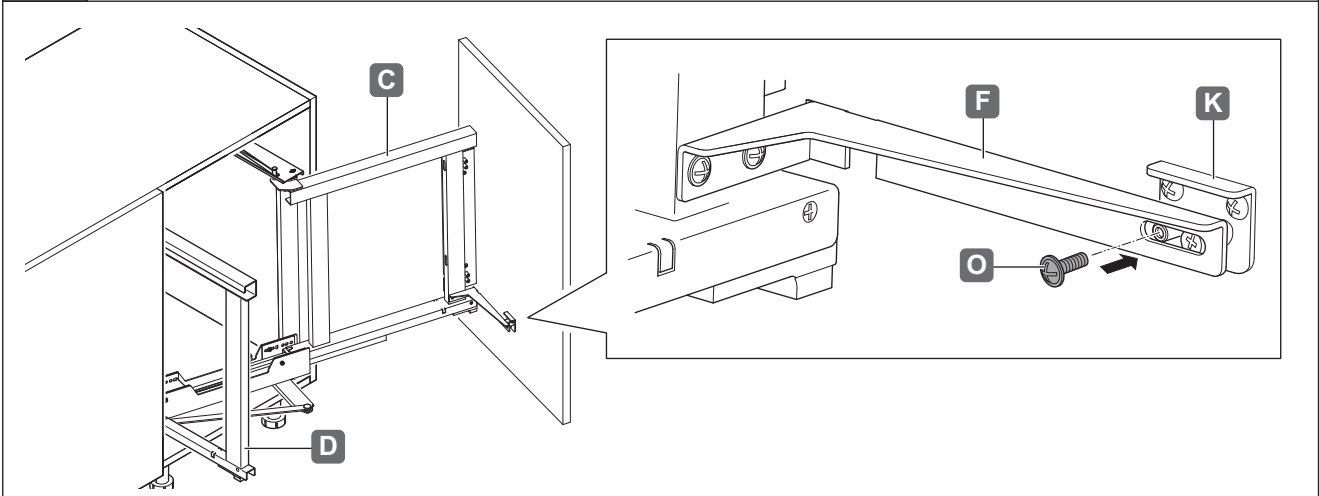
732.25.121

HDE 12.04.2021

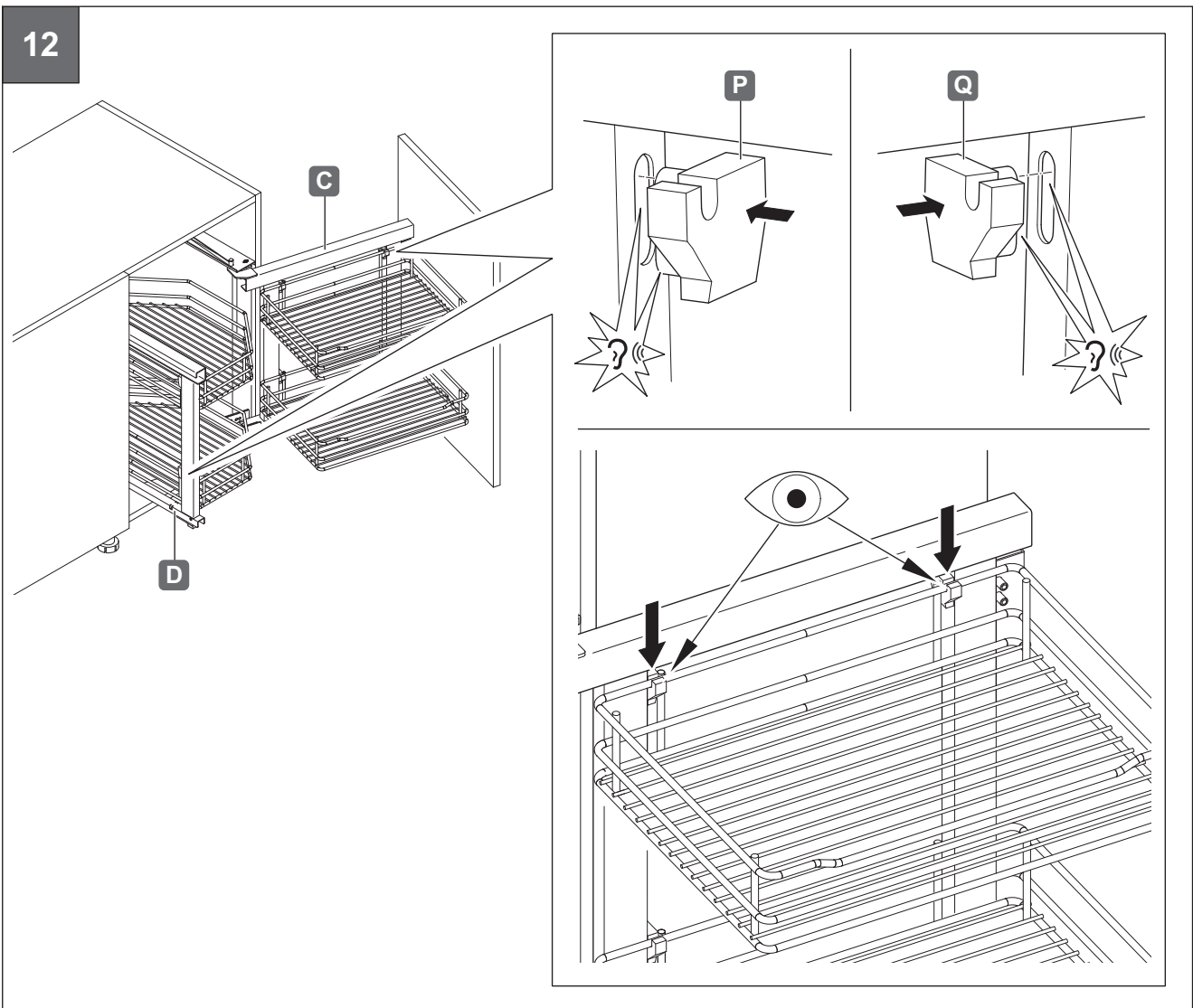
11



PZ 2



12



732.25.121

HDE 12.04.2021

