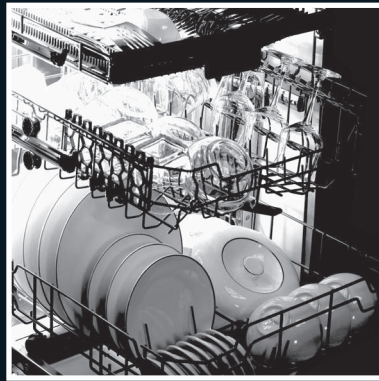


HÄFELE

nagold
BUILT-IN APPLIANCES



DESIGNED TO CREATE EXPERIENCES...



OUT OF DAILY CHORES!





INTRODUCTION

Dear Customers,

Hafele has now pioneered the way fittings are sold in India for over 13 years. Being a German company, our foremost concern has always been to offer our customers, premium quality products at competitive prices paired with solution based services. With the introduction of its new generation of international home appliances under the Nagold series, we only reinstate this concept. The Nagold series of home appliances constitutes the trademarked Hafele excellence in quality and functionality and is backed by a strong value proposition for our customers.

Named after the town of 'Nagold' in Germany from where Hafele hails, this range represents the prominent commercial value that Germans are known for – providing quality at par excellence! By bringing these standards of excellence to India through the Nagold range, we now create the opportunity for you to enjoy pure functionality and every possible convenience in your homes. Every appliance from the Nagold range is 'Future Ready' and has been carefully selected to provide you with the latest trends and technologies prevailing in the international markets. We have also spent valuable time and effort into putting these home appliances under the most stringent of testing procedures to ensure that they exceed all performance standards and meet every possible technical parameter.

Nagold built-in hobs meet your daily cooking needs with a level of smarter efficiency. These hobs come with the auto-ignition function and an in-built safety device that prevents the leakage of gas during the eventuality of the burner flame going off. You can also extend your culinary skills to experimental baking, grilling or barbequing with the Nagold range of built-in microwave and electric ovens, deep fryers and barbecues that come with the latest technologies and designs.

You can enjoy the durable benefits of Nagold cooker hoods that come with extended suction capacities to neutralize the residues of even the most pungent styles of cooking. Made of high grade stainless steel and available in different designs and finishes, these cooker hoods can sustain the harsh conditions of Indian kitchens.

Nagold dishwashers are energy efficient and come as a respite to your cleaning chores in the kitchen; they look sleek and fit smartly into your kitchen cabinetry. With an advanced mechanism and improved technology, these dishwashers are trained to remove even the most rigid masala stains often left behind by aggressive Indian cooking.

Enjoy the benefits of an efficient and smart kitchen with Hafele's Nagold range of international home appliances that give your family a fresh, healthy and clean lifestyle!

Warmest Regards

A handwritten signature in black ink, appearing to read 'Jurgen Wolf', written in a cursive style.

Jurgen Wolf
Managing Director
Hafele India Pvt. Ltd.

93 YEARS OF PROFESSIONAL EXPERIENCE IN CREATING LIFESTYLE



With its origin in 1923 in a small town named 'NAGOLD' from the Swabian region of Germany that nurses a passion for hardware technology, it is no surprise that Hafele has lived up to its roots through a successful presence in the architectural and furniture hardware industry for 93 years now.

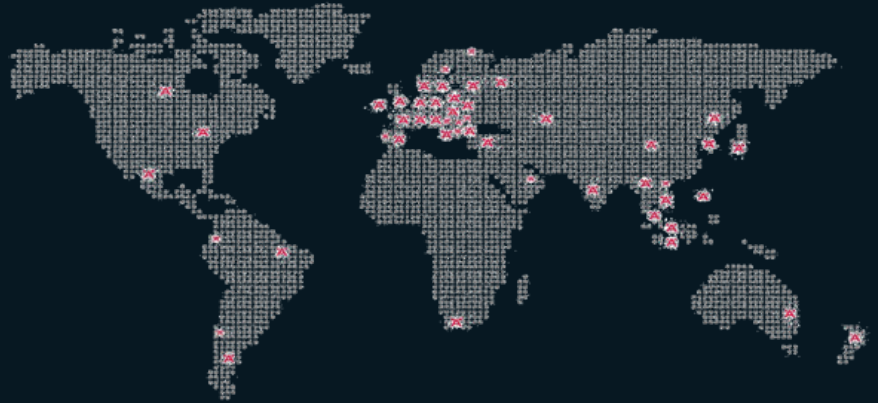
For more than 93 years, we've been helping people make more of their homes. Established in Germany, and now operating worldwide, we specialise in the fittings, hardware and systems that improve the way home works. So when you choose our products as part of your new or reformed home, you

know you're getting the benefit of extensive knowledge and decades of experience.

And we're still a family business, owned and managed by family members who really care about the products and service we provide. You can rely on our commitment to the highest standards of quality and reliability, founded on a long tradition of German engineering where attention to detail is second nature.

All our home improvement ideas are built to last – day in, day out – we want you to get the very best from every corner of your home, for many years to come.

HAFELE WORLDWIDE



Today, Hafele's worldwide penetration includes 38 subsidiaries across Europe, America, Asia, Australia and New Zealand. In addition to this it has 9 sales offices in other countries. The Hafele headquarters, 5 manufacturing units and 10 sales offices are located within Germany.

The group services over one million families across the globe through its extensive range of hardware products and a comprehensive logistics system.



HAFELE MUMBAI



HAFELE DELHI



HAFELE INDIA



HAFELE KOLKATA



HAFELE BANGALORE

Hafele India, a 13-years-old subsidiary of the Hafele Global network, lays pride in its diverse range of quality products, well-networked channel partners and unmatched service to customers. The ability of the company to understand the diverse Indian market and adapt to the changing tastes and trends, has made it an authority in the field of architectural hardware, furniture fittings and kitchen fittings and accessories.

Retail experience in India: We bring to you the state of the art design centers across all metro and major cities for an enhanced and sophisticated retail experience. We reach further near to the customer through our dedicated kitchen partners across India who would bring you our entire range under one roof.

Customer Service: Hafele's Nagold Range of Built-in Home Appliances has a dedicated and well-networked service footprint across India, reaching to 23 states and many small cities. The Nagold service infrastructure is equipped with most sophisticated and modern tools and facilities ensuring prompt and efficient service to our customers. Now our service is just a call away through our centralized customer care team.

With this successful backing and the promise to grow in manifolds, the company is on an expansion mode to meet the ever-growing demands not only from India but also its neighbouring countries. Owing to this, Hafele has now established regional offices in Sri Lanka and Bangladesh while also spreading its sales operations to Nepal and Bhutan.



Hafele presents to you its new generation of international home appliances under the NAGOLD series. Nagold is a town in southwestern Germany, bordering the northern Black Forest; incidentally, it also is the place of origin of the 93-year-old Hafele Empire. With the NAGOLD brand name, we present to you the trademarked 'Hafele' excellence in quality and functionality.

'Nagold by Hafele' is the first of its kind built-in home appliances brand that is remarkably International by design and functionality, yet distinctively Indian by features and functions which specifically cater to the unique requirements of this



BRAND NAGOLD

country. This makes way for a value proposition that has never before been experienced in the built-in appliances segment of India.

Through the NAGOLD series, we provide you with every possible convenience that makes your time spent in the kitchen truly worthwhile. You can now meet your daily cooking needs with a level of smarter efficiency through our exclusive range of built-in-hobs; and to extend your culinary skills to experimental baking, grilling or barbecuing, we present you with our range of built-in microwave and

electric ovens, deep fryers and barbecues. Your cooking experience is further enhanced with our range of silent cooker hoods that work effectively to expell the smoke and cooking residues. Get 100% hygeinic wash with the Nagold's dishwashers that removes rigid masala stains from your cooking vessels at the touch of a button!

So dive into the world of kitchen like never before with the Nagold range of built-in home appliances. Enjoy the experience of recreational cooking and leave the rest to us!



CONTENTS



Refrigeration and Cooling Appliances

14-31

French Door Refrigerator
Side by Side Refrigerator
Built in Refrigerator

Grilling and Baking Appliances

32-77

Built in Ovens
Built in Combi Microwave Ovens
Built in Combi Steam Oven
Built in Warming Drawers

Cooking Appliances

78-129

J Series Hobs
Ivory Series Hobs
Induction Hobs
Aluminium Hobs
Barbeque Grills & Deep Fryers

Ventilation Appliances

130-155

Filter Free Hoods
Wall Mounted Decorative Hoods
Island Hoods

Dish-washing Appliances

156-167

Fully Integrated Dishwasher
Semi Integrated Dishwasher
Freestanding Dishwasher

Laundry Care Appliances

168-185

Washing Machines
Washer Dryer Combo



FREE STANDING REFRIGERATOR

EXCELLENT
PERFORMANCE
IN LARGE CAPACITY
AND DUAL
FUNCTIONALITY



DUAL COOLING™



ENJOY MAXIMUM FRESHNESS

The Dual cooling system in Nagold refrigerators feature two separate cooling systems, keeping humidity at an optimum level, preventing odour transfer between the fridge and the freezer and maintaining the maximum level of air quality. This technology provides the best cooling conditions to help keep your favourite foods as fresh as you love them.



Dual cooling system



2 times faster cooling



No odour transfer



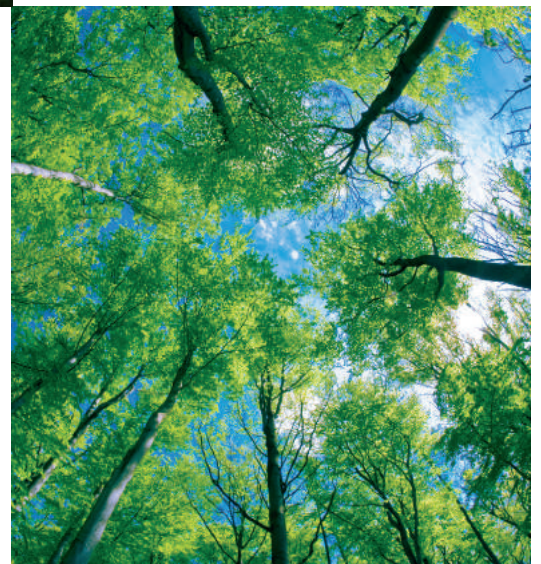
ENERGY EFFICIENCY

The need to save energy and resources has never been more important. With an environmental vision Nagold Refrigerators come with an efficiency of A++ energy ratings.

An A++ refrigerator consumes up to 40% less energy in contrast to an identical A product.

N SMART™

Smart cooling adjusts to speed shifts faster in line with your needs creating less temperature fluctuation. This provides faster cooling with less energy, allowing food to stay fresh for much longer. Features of the compressor design provide more durability with lower noise level on start-up and 4 times quieter operation.



SMART DESIGN AND FUNCTIONALITY



Digital Controls

Easy to use electronic controls and a digital set temperature display ensure optimum control.

Frost Free System

The Frost Free System ensures that defrosting is never necessary. Providing ease of use, it maintains the right temperature for more effective food preservation in the fridge as well.

Quick cool

Fan on the back wall is located at the top shelf level. It blows cold air right onto the items placed on top, freezing 10% faster compared to lower freezer shelves.

FRESCO ZONE™

Stay green and eat fresh

Nagold refrigerators with the Fresco zone™ help stabilize the temperature control via smart sensor. The Fresco zone provides the best conditions for your fruits and green vegetables to maintain their freshness longer, providing up to 3 times more storage duration.



ROTATING BOX

The smart design storage container helps utilise unused space under the door rack efficiently. The Rotating Box is ideal for storing small items that might be difficult to find in the main compartment.



Tropicalised Compressor

Nagold's Built-in Refrigerator has a climatic class of SN-T which has an operating temperature of 10°C to 43°C. The Tropicalised compressor works perfectly for the Indian climate providing optimum cooling and humidity to the refrigerator.

Self-Closing Doors

The unique hinge design makes the doors close automatically when left open.

Door Open Buzzer

The side-by-side refrigerators have both visual and audible buzzers that get activated if a door is left wide open.

XL Freezer Compartment

Extra large space can be created in the freezer compartment via the removable shelf and flaps that can open both upwards and downwards.





SMART DESIGN FOR FUNCTIONALITY

Slim Ice Maker



The extra slim ice dispenser makes ice without wasting space in the fridge, thus adding storage volume to the freezer compartment.

The "Big" Compartment

The "big" compartment in the upright Refrigerator provides you with larger space to keep bigger items.

Tall Dispenser



The ice and water dispenser automatically dispenses chilled filtered water, ice cubes or crushed ice from the tap. The dispenser is large enough to accommodate tall glasses as well.





MULTIZONE[®]

The MultiZone[®] provides the flexibility to increase storage for fresh food and drinks during summer and to switch to larger capacity for frozen food in winter. The cooling system adjusts for the freezer or fresh food compartment in just 60 minutes.

MultiZone[®] is a convertible compartment that can be utilized either as a fridge or a freezer. The flexible temperature range of -24/+4 °C helps you keep different foods and beverages at an ideal temperature.





JR750NF

Built in Refrigerator

Gross Capacity	750 L
Fridge	
Capacity	435 L
Light	Tall LED Towers on side walls
Temperature Zone	4 (Multiple)
Inline Shelves	Glass Shelves
Fresco Zone	4 Drawers
Convertible Multizone	104 L
Freezer	
Net Capacity	208 L
Defrost	Automatic
Drawers	3 compartments
Quick Cool	Yes
Quick Freeze	-28 DEGREES
Duo Cool	Yes
Ice Maker	Automatic
Water Dispenser	Yes
Ice Dispenser	Yes
Daily freezing capacity	13kg
Ice Maker capacity per day	1kg
Fully Frost Free	Yes
Other Features	
Cooling Circuits	3
Vacation Mode	Yes
Warning Signal	Audible
Additional Cooling Fan	Yes
Operating temperature	10° C - 43° C
Energy Class	A+ Energy Efficiency
Daily Energy Consumption at 25°C(kwh/24h)	1.45 kWh
Water Connection	Direct water connection
Noise Level	46dbA
Connected Power	200 W
Certifications	CE, TUV
Article No.	534.14.230
Product Dimension (W X D X H)	910mm X 862mm X 1850mm





JR620NF
Built in Refrigerator

Gross Capacity	620 L
Fridge	
Capacity	368L
Light	Tall LED Towers on side walls
Temperature Zone	3
Inline Shelves	Glass Shelves
Fresco Zone	4 Drawers
Convertible Multizone	-
Freezer	
Net Capacity	176 L
Defrost	Automatic
Drawers	3 compartments
Quick Cool	Yes
Quick Freeze	-28 DEGREES
Duo Cool	Yes
Ice Maker	Automatic
Water Dispenser	Yes
Ice Dispenser	Yes
Daily freezing capacity	13kg
Ice Maker capacity per day	1kg
Fully Frost Free	Yes
Other Features	
Cooling Circuits	2
Vacation Mode	Yes
Warning Signal	Audible
Additional Cooling Fan	Yes
Operating temperature	10° C - 43° C
Energy Class	A++ Energy Efficiency
Daily Energy Consumption at 25°C(kwh/24h)	1.01 kWh
Water Connection	Direct water connection
Noise Level	43dBA
Connected Power	150 W
Certifications	CE, TUV
Article No.	534.14.240
Product Dimension (W X D X H)	908mm X 720mm X 1820mm



BUILT IN REFRIGERATOR

A FEATURE-PACKED
MODEL THAT IS
BACKED BY A
STRONG VALUE
PROPOSITION

Nagold's Built-in Refrigerator has a suitable climatic class can operate optimally even at extreme temperatures. The Tropicalised compressor works perfectly for the Indian climate providing optimum cooling and humidity to the refrigerator.

The smart duo cooling system, helps to keep precise humidity and temperature in fridge & the freezer compartments at an optimum level, prevents odour transfer between the fridge and the freezer, and maintains the maximum level of air quality.

The smart temperature sensors provide the best cooling conditions to help keep your favourite foods as fresh as you love them.

The need to save energy and resources has never been more important. With an environmental vision Nagold refrigerators provides products with A++ energy rated refrigerators consume up to 40% less energy !



Tropicalised Compressor

Nagold's Built-in Refrigerator has a climatic class of SN-T which has an operating temperature of 10°C to 43°C. The Tropicalised compressor works perfectly for the Indian climate providing optimum cooling and humidity to the refrigerator.



Energy Efficiency Class

Nagold's Built-in Refrigerator has an energy efficiency class of A++, which makes it 40% more efficient than a standard A rated appliance.



Fresco Zone

Vegetables, fruits, fish, seafood and meats maintain their freshness for the longest possible time at a temperature of 0°C to 2°C. Nagold's Built-in Refrigerator understands this by providing you with two isolated zones specially meant for these food items where the temperature levels are maintained between 0°C to 2°C.



Quick Cool

This technology lowers the temperature inside the refrigerator. If new food items are added, the refrigerator will cool faster to minimise the humidity and condensation until previous temperatures are reached. This helps the food to retain the initial freshness and quality for a longer time.



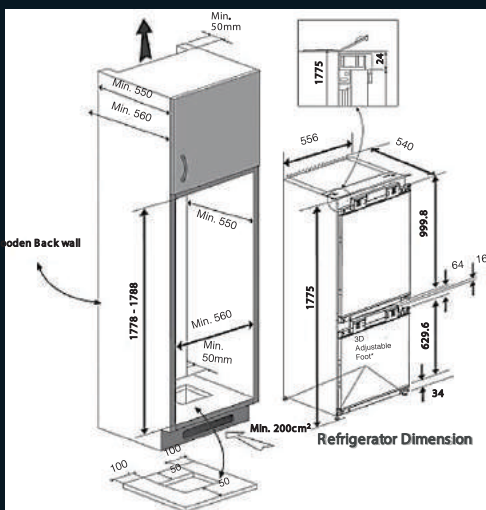
Duo Cooling System

Duo cooling system ensures separate refrigerator and freezer compartments cooling. This helps to prevent food stored in the refrigerator compartment from dehydrating and also averts odour transfer.

Duo Cooling system brings in higher energy efficiency as cooling energy and maintains appropriate temperatures in the freezer and the refrigerator compartment.

JR300NF
Built In Refrigerator

Gross Capacity	300 L
Fridge	
Capacity	172 L
Light	Broad White LED Strip
Temperature Zone	2
Inline Shelves	Glass Shelves
Fresco Zone	2 Drawers
Convertible Multizone	-
Freezer	
Net Capacity	65L
Defrost	Automatic
Drawers	3 compartments
Quick Cool	Yes
Quick Freeze	-24 DEGREES
Duo Cool	Yes
Ice Maker	Ice Tray
Water Dispenser	-
Ice Dispenser	-
Daily freezing capacity	-
Ice Maker capacity per day	-
Fully Frost Free	Yes
Other Features	
Cooling Circuits	2
Vacation Mode	-
Warning Signal	Audible
Additional Cooling Fan	Yes
Operating temperature	10° C - 43° C
Energy Class	A++ Energy Efficiency
Daily Energy Consumption at 25°C(kwh/24h)	0.70 kWh
Water Connection	-
Noise Level	40dbA
Connected Power	100 W
Certifications	CE, TUV
Product Dimension (W X D X H)	556mm x 540mm x 1775mm
Installation Drawing	





Built in Ovens

STATE-OF-THE-
ART TECHNOLOGY
FOR HEALTHY
AND WHOLESOME
MEALS



FOR THE MINIMALIST!

The New Built-in Oven from the Nagold J-Series Range of Appliances combines power, sophistication and technology to offer the best of everything in a single power-packed model.

It comes with multiple independent cooking functions to choose from and ensures complete functionality by allowing you to save your cooking settings for repeated cycles. Made of high grade stainless steel, the oven is highly durable, adding a classy, futuristic look to your kitchens with its minimalist design and construction!

The oven is capable of performing simultaneously at multiple levels of roasting and baking while ensuring precision cooking with the meat probe and Rotisserie function. It comes equipped with a triple glazed glass door and a large viewing window to keep an eye on the delicious treats set for preparation inside.

FOR THE FUTURISTIC!

Effortlessly maintain a healthy lifestyle with Nagold cooking appliances specially designed to meet all of your needs. Follow healthy food trends and cook the tastiest dishes in the healthiest way possible.

While you enjoy an elegant dinner at the comfort of your home, smart function Nagold appliances will take care of the rest leaving you with a sparkling clean kitchen.





ADD A CLASSY LOOK TO YOUR KITCHENS

Built-In Ovens

Nagold's range of built-in electric and combi microwave ovens offer you a host of CONTEMPORARY COOKING OPTIONS; making your cooking experience recreational and fun!

Grilling, baking, steaming or heating are only a few among the host of the cooking functions available in our range of built-in ovens under the Nagold series. Microwave cooking with Nagold's range of ovens is now not only quick and healthy but with its new, improved technology cooking is now also more precise as it is electronically regulated. What's more is that with our model of combi-ovens you can now enjoy the utility of grilling and convection cooking from the same appliance!

The range of electric ovens come in combinations or independent cooking functions to choose from; what's more is that this smart range now allows you to save your cooking settings for repeated cycles. Made of high grade stainless steel, these ovens are highly durable and look elegant, adding a classy, futuristic look to your kitchens!

FOR THE PERFECTIONIST!

The electronic programmer with animated display enables the user to navigate with symbols. The display shows the selected cooking function, as well as the recommended tray level for the best cooking results.

Cooking duration can be programmed for an immediate or delayed start. Cooking temperature can be set between 50°C and 250°C, at intervals as precise as 5°C.

Thanks to triple layers of glass on the oven door, the surface temperature never exceeds 70°C even during the regular cooking cycle, when the inner temperature of the oven can reach up to 250°C.



FOR THE MODERNIST!

Traditional ovens can offer inconsistent temperatures within different sections of the oven. Nagold Built in Ovens with Smart temperature control technology provide uniform cooking temperatures throughout the oven thanks to hot air blown into each level of the oven through the multiple air vents located in the side walls and the fan at the back wall. This technology helps ensure professional cooking results every time.





FOR THAT GOURMET

For a heart-warming dinner full of delectable flavors, and discriminating taste, try your recipes with that “professional touch” in the all new Nagold’s built in range of oven and microwave without worrying about the overdone or underdone dishes. The professionally designed ovens and microwave range is able to handle the most delicate batter, without burning it. Thanks to the Nagold’s Smart Cook feature - now you can preset the temperature of the food. The Smart Cook device will tell you the temperature right at the center of the batter, meat or fish.



BIGGER IS DEFINITELY BETTER

BUILT IN OVENS

When it comes to capacity, bigger is definitely better. Despite the standard dimensions, the 70L Nagold oven has one of the most spacious interiors in its class. It's convenient for large families, or anybody who wants to get the most out of a standard built-in oven.

Made of a single piece, the oven cavity is free of bolts, welding lines, intersection points, or any other dirt traps that can turn cleaning the interiors into a difficult chore. You can run your hand around each and every corner of the oven cavity without encountering a single snag.

Flexible pull-out shelf system enables the adjustment of shelf level according to your needs. The trays can be pulled out of the oven cavity without the risk of heavy meals falling and flexible pull-out shelf system can be attached on any level of the side rack.



Intuitive display

The Nagold built in ovens comes with a convenient and easy to operate controls. With one touch you can choose the desired function and with the big display screen, you can see your selection of function and temperature and at what stage your food is being cooked.

Multiple cooking modes

Precisely control heat and airflow, providing just the right cooking environment for everything from braised chicken and fish to flat breads to classic chocolate chip cookies

Triple pane glass door

Large, triple-pane glass windows and bright halogen lights give you a clear view of your dish without having to open the door and disturb the cooking process. The triple layered glass gives you the most efficient heating insulation and the temperature inside the cavity is attained quickly and is maintained throughout the cooking cycle without any potential loss of heat during the cooking cycle.

Integrated design

Nagold built in ovens can be installed with a matching microwave of your choice and taste that can seamlessly gel with your kitchen design and surrounding cabinetry.

Your dependable kitchen companion

All Nagold built in ovens are designed thoughtfully and are made with superior-quality materials, that are designed to last long under heavy domestic use. Major components are tested that undergo an extreme stress test prior to going into the final design of the unit, and every major function of every completed product is tested before the product is presented to you.

Rotisserie Function

This is a specially designed function to give you the best roasting and grilling result for a wholesome meal. This function ensures that the grilling is done from all the sides of the dish.

Nagold SmartCook function

Nagold built in oven comes with a novelty of food probe function. This allows for precise and customized grilling of meat, fish or poultry and sponges. This easy to use unit can make baking and grilling much of an experience than a close monitoring exercise.



J

nAGOLD
— by HÄFELE



CONVECTION BAKING



This function is ideal for crispier cooking like cookies, roasting vegetables, meat or fish, which require perfect heat distribution in the oven cavity.

This function activates top and bottom heating elements with the fan that distributes the air evenly inside the oven cavity and controls the moisture. This function is ideal for baked items that cook in less than one hour such as biscuits, cookies, thin crust breads etc.



Classic Bake is a traditional baking function suitable for flat breads and waffles. Heat is generated only from the bottom, allowing for gentle cooking of delicate recipes and for those that require slow cooking. There is no direct heating to the top of the food so it's perfect for items that require minimal surface browning.



CLASSIC BAKE



BAKE



The Bake function is for the traditional method of baking. Heating takes place from the top and bottom elements of the oven. This gives a moistier baking result that is ideal for baking cakes and muffins. It is best to bake on only one shelf at a time using this function to ensure the best result.



Hate leftovers? Here is a function, that will help you to quickly reheat the food left over last night and ready to be served piping hot.



REHEATING



BASIC GRILLING



A function ideal for light grilling results for cottage cheese, mushrooms and delicate vegetables like broccoli, carrots, tomatoes, bell peppers, etc.



This double grill function delivers intense heat from the inner region of the top element for when you need to quickly grill one or two portions. This is suitable for cooking crispy potatoes, chicken breast, chicken drumsticks, steak and fish.



DOUBLE GRILLING



DOUBLE GRILL WITH FAN



This is ideal when you are cooking and grilling in multiple rack levels. The fan assisted function gives an even distribution of heat inside the cavity and ensures complete and wholesome grilling result.



The convection grill has the addition of the fan to circulate hot air throughout the oven along with the grilling element. Intense heat and radiation provide an excellent environment for cooking large cuts of meats moist inside and crisp on the outside.



CONVECTION GRILL



DEFROST



This function can reduce the thawing time for your frozen food, that is ready in go into your hot wok for deep frying or searing.



For moist and tender grilling ! Serve the perfect skewers with this special grill function with and added rotisserie to give the best grilling result for tenderly grilled chicken and vegetables.



ROTISSERIE GRILL



DOUBLE GRILLING WITH ROTISSERIE



This function is perfect for cooking crispy fish, chicken fillets, or meat cutlets. The fan circulates the heat to maintain all-over cooking.



COMBI MICROWAVE

Essentially, a Combi Microwave enables you to carry out all basic microwave tasks, together with grilling, baking and all other facilities that a regular kitchen oven provides you with.

Unlike a regular microwave, Nagold's Combi Microwave can brown, crisp, roast and bake, when used on the oven mode. It will also have the added bonus of using less electricity than a regular oven, due to the volume of air being heated being smaller. The combination function of Oven with Microwave gives a full proof cooking results from inside out in 50% cooking time.



Integrates beautifully into any kitchen

Nagold built in combi microwaves are designed that complement other baking appliances from its range. With its built-in design and space-saving drop-down door, this microwave integrates easily into almost any kitchen.

Power saving time saving

From high heating to delicate melting or thawing, this appliance can handle all with precision. In Nagold's convection microwave oven, the food cooks in a fraction of the time compared to a regular oven. Some regular ovens can take about twenty minutes to cook meat per pound. The same meat can be cooked in about half the time.

Convection Microwave Ovens Cook a Wide Variety of Foods

When using an old-fashioned microwave you are limited to cooking certain things. Trying to make anything more complex is almost impossible. Nagold's combi microwave oven allows you to cook full meals including dessert. Vegetables cook faster so they stay crisp. You can get a crust on your entrée without frying. Desserts like cookies bake quickly and evenly.

Maximum Flexibility

Nagold gives maximum flexibility where you can choose the power of microwave, the level of grilling, the temperature and the timing at the same time..and all this at your fingertips.

Nagold combi microwaves comes with a preset cooking menu that helps you to cook your food at a touch of your fingertip.

Kitchen Space Saver

This kind of microwave oven is perfect for those with limited space. Many people who live in apartments do not have very large kitchens. If you do not have room for a full-size stove this is a great solution. You can cook everything that you normally need a regular oven for, but using so little room.

Easy and Quick to Clean

One thing most people hate about cooking in a large oven is the cleaning you have to do afterwards. Since the size is smaller there is a lot less to clean. With big ovens, there are pans, racks, drips, and spills that take a lot of hard work to clean. The smaller convection microwave has less parts and space to clean up.



J70 BIO
60 cm Built-In Oven

Energy efficient class	A
Volume oven cavity	70L
Ultra cool door	Triple glass insulation
Enamel	High-quality enamel
Comfort	J Series Smart Display
	One-touch selection
	Molded flexible 5 pullout shelves
	Inner cavity light
	Flat extractable internal door
	Full glass exterior
	Rotisserie
	Optional
	Aqua clean cavity
Cooking assistance	Default temperature
	Adjustable temp. up to 250°C
	-
	3 level grill variation
Cooking Modes	10 cooking modes
	Convection Bake
	Traditional Bake
	Roasting
	Double Grill (with Rotisserie)
	Grill with Convection (with Rotisserie)
	Convection Heating
	Defrosting
	Radiant Grill
	Double Grill
	Double Grill with Fan
	Lamp
Accessories	
Shallow baking tray	1
Deep baking tray	1
Grill grate	1
Article No.	538.01.001
Product Dimensions (WXHxD)	595 mm X 595 mm X 575 mm

ARIA 70
60 cm Built-In Oven

Energy efficient class	A
Volume oven cavity	70L
Ultra cool door	Triple glass insulation
Enamel	High-quality enamel
Comfort	Electronic Display
	Jog Dial Selection
	Fully extendable telescopic shelves
	Inner cavity light
	Flat extractable internal door
	Anti finger- print exterior panels
	Rotisserie
	Food Probe function
	Aqua clean cavity
Cooking assistance	Default temperature
	Adjustable temp. up to 250°C
	Food probe
	3 level grill variation
Cooking Modes	10 cooking modes
	Convection Bake
	Traditional Bake
	Roasting
	Double Grill (with Rotisserie)
	Grill with Convection (with Rotisserie)
	Convection Heating
	Defrosting
	Radiant Grill
	Double Grill
	Double Grill with Fan
	Lamp
Accessories	
Shallow baking tray	1
Deep baking tray	1
Grill grate	1
Article No.	538.01.041
Product Dimensions (WXHxD)	595 mm X 595 mm X 575 mm



CELIA 70

60 cm Built-In Oven

Energy efficient class	A
Volume oven cavity	70L
Ultra cool door	Triple glass insulation
Enamel	High-quality enamel
Comfort	Electronic Display Jog Dial Selection Fully extendable telescopic shelves Inner cavity light Flat extractable internal door Full glass exterior panels Rotisserie Food Probe function Aqua clean cavity
Cooking assistance	Default temperature Adjustable temp. up to 250°C Food probe
Cooking Modes	3 level grill variation 10 cooking modes Convection Bake Traditional Bake Roasting Double Grill (with Rotisserie) Grill with Convection (with Rotisserie) Convection Heating Defrosting Radiant Grill Double Grill Double Grill with Fan Lamp
Accessories	
Shallow baking tray	1
Deep baking tray	1
Grill grate	1
Article No.	538.01.051
Product Dimensions (WXHxD)	595 mm X 595 mm X 575 mm

DIAMOND 70

60 cm Built-In Oven

Energy efficient class	A
Volume oven cavity	70L
Ultra cool door	Triple glass insulation
Enamel	High-quality enamel
Comfort	Electronic LED Display One-touch selection Molded flexible 5 flexible shelves Inner cavity light Flat extractable internal door Full glass exterior Rotisserie Optional Aqua clean cavity
Cooking assistance	Default temperature Adjustable temp. up to 250°C -
Cooking Modes	3 level grill variation 10 cooking modes Convection Bake Traditional Bake Roasting Double Grill (with Rotisserie) Grill with Convection (with Rotisserie) Convection Heating Defrosting Radiant Grill Double Grill Double Grill with Fan Lamp
Accessories	
Shallow baking tray	1
Deep baking tray	1
Grill grate	1
Article No.	538.01.061
Product Dimensions (WXHxD)	595 mm X 595 mm X 575 mm



RIBB 70 60 cm Built-In Oven

Energy efficient class	A
Volume oven cavity	70L
Ultra cool door	Triple glass insulation
Enamel	High-quality enamel
Comfort	Electronic Display with 2 Jog Dial Jog Dial Selection Fully extendable telescopic shelves Inner cavity light Flat extractable internal door Anti finger- print exterior panels Rotisserie Food Probe function Aqua clean cavity
Cooking assistance	Default temperature Adjustable temp. up to 250°C Food probe 3 level grill variation
Cooking Modes	10 cooking modes Convection Bake Traditional Bake Roasting Double Grill (with Rotisserie) Grill with Convection (with Rotisserie) Convection Heating Defrosting Radiant Grill Double Grill Double Grill with Fan Lamp
Accessories	
Shallow baking tray	1
Deep baking tray	1
Grill grate	1
Article No.	534.05.541
Product Dimensions (WXHxD)	595 mm X 595 mm X 575 mm

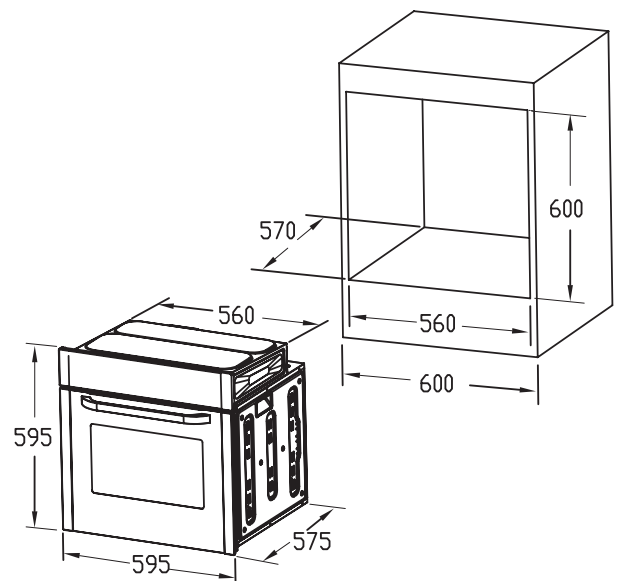
Rensch 65 60 cm Built-In Oven

Energy efficient class	A
Volume oven cavity	65L
Ultra cool door	Double glass insulation
Enamel	High-quality enamel
Comfort	Electronic Display with 2 Jog Dial Mechanical knob selection 5 Level molded shelves - Flat internal door Anti finger- print exterior panels - -
Cooking assistance	Aqua clean cavity Default temperature Adjustable temp. up to 250°C -
Cooking Modes	2 level grill variation 8 cooking modes Convection Bake Traditional Bake Roasting - - - Defrosting Radiant Grill Double Grill Double Grill with Fan Lamp
Accessories	
Shallow baking tray	1
Deep baking tray	1
Grill grate	1
Article No.	534.05.551
Product Dimensions (WXHxD)	595 mm X 595 mm X 575 mm

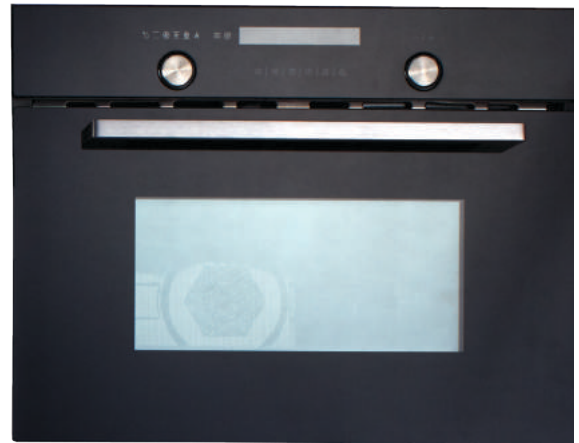


RENCH 65+
60 cm Built-In Oven

Energy efficient class	A
Volume oven cavity	65L
Ultra cool door	Double glass insulation
Enamel	High-quality enamel
Comfort	Electronic Display with 2 Jog Dial Mechanical knob selection
	5 Level molded shelves
	-
	Flat internal door
	Anti finger- print exterior panels
	-
	-
	Aqua clean cavity
Cooking assistance	Default temperature Adjustable temp. up to 250°C
	-
	2 level grill variation
Cooking Modes	8 cooking modes Convection Bake Traditional Bake Roasting
	-
	-
	-
	Defrosting
	Radiant Grill
	Double Grill
	Double Grill with Fan
	Lamp
Accessories	
Shallow baking tray	1
Deep baking tray	1
Grill grate	1
Article No.	538.01.021
Product Dimensions (WXHXD)	595 mm X 595 mm X 575 mm



Installation Drawings for :
J70 BIO, ARIA 70, CELIA 70, DIAMOND 70, RIBB 70, RENCH 65, RENCH 65+



SAVIO 44

45 cm Combi Microwave Oven

Energy efficient class	A
Volume oven cavity	44L
Function	Combi microwave full function
Inner Cavity	Stainless Steel
Comfort	White display
	2 jog dials
	Turntable Ø 360mm
	Inner cavity light
	Flat internal door
	Full glass exterior
	Aqua clean cavity
Cooking Assistance	6 combination mode with Microwave
	Defrost - 2 levels
	Convection Bake
	Traditional Bake
	Pizza function
	Quick cook
	Grill Combi with convection
	13 Auto Cook Menu
	5 Microwave power levels
Technical Details	
Max Power Output (Microwave)	900W
Max Power Input (Grill)	1750W
Max Power Input (Convection)	1750W
Accessories	
Turntable	1
Grill Rack	1
Article No.	538.01.030
Product Dimensions (WXHxD)	594mm X 454.5mm X 550mm

NORA 44

45 cm Combi Microwave Oven

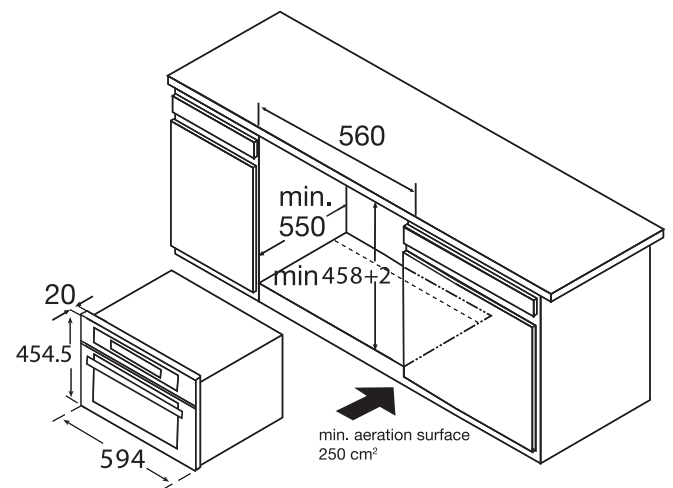
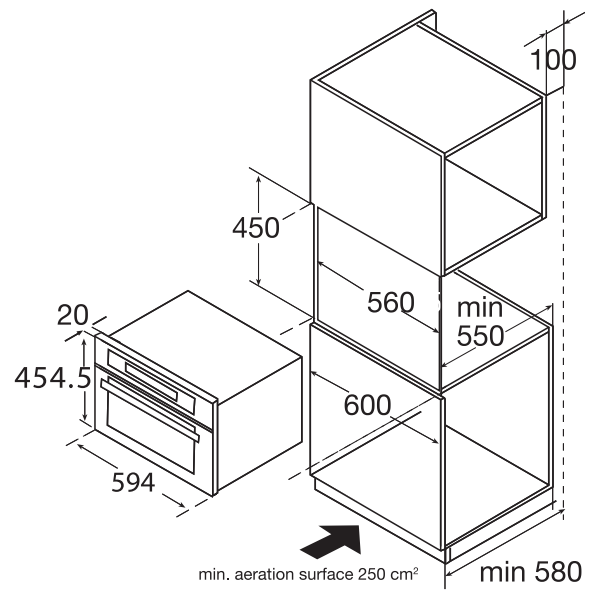
Energy efficient class	A
Volume oven cavity	44L
Function	Combi microwave full function
Inner Cavity	Stainless Steel
Comfort	White display
	2 jog dials
	Turntable Ø 360mm
	Inner cavity light
	Flat internal door
	Full glass exterior
	Aqua clean cavity
Cooking Assistance	6 combination mode with Microwave
	Defrost - 2 levels
	Convection Bake
	Traditional Bake
	Pizza function
	Quick cook
	Grill Combi with convection
	13 Auto Cook Menu
	5 Microwave power levels
Technical Details	
Max Power Output (Microwave)	900W
Max Power Input (Grill)	1750W
Max Power Input (Convection)	1750W
Accessories	
Turntable	1
Grill Rack	1
Article No.	538.01.081
Product Dimensions (WXHxD)	594mm X 454.5mm X 550mm



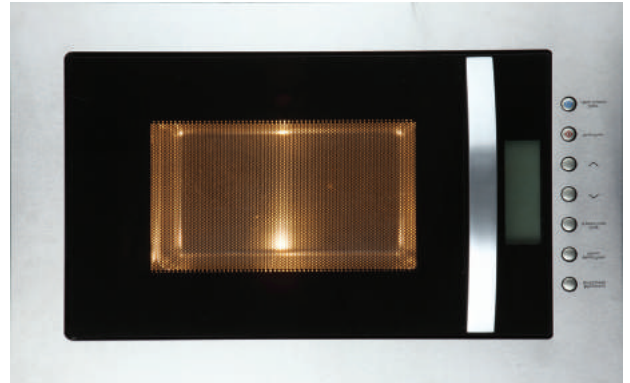
RUHRR 44

45 cm Combi Microwave Oven

Energy efficient class	A
Volume oven cavity	44L
Function	Combi microwave full function
Inner Cavity	Stainless Steel
Comfort	Red Display
	2 jog dials
	Turntable Ø 360mm
	Inner cavity light
	Flat internal door
	Anti finger- print exterior panels
	Aqua clean cavity
Cooking Assistance	6 combination mode with Microwave
	Defrost - 2 levels
	Convection Bake
	Traditional Bake
	Pizza function
	Quick cook
	Grill Combi with convection
	13 Auto Cook Menu
	5 Microwave power levels
Technical Details	
Max Power Output (Microwave)	900W
Max Power Input (Grill)	1750W
Max Power Input (Convection)	1750W
Accessories	
Turntable	1
Grill Rack	1
Article No.	534.05.301
Product Dimensions (WXHxD)	594mm X 454.5mm X 550mm



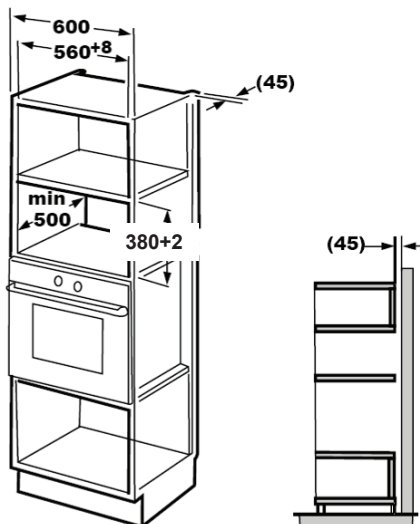
Installation Drawings for :
SAVIO 44, NORA 44, RUHRR 44, J34CST



J32MWO

39 cm Microwave Oven with Grill and Convection

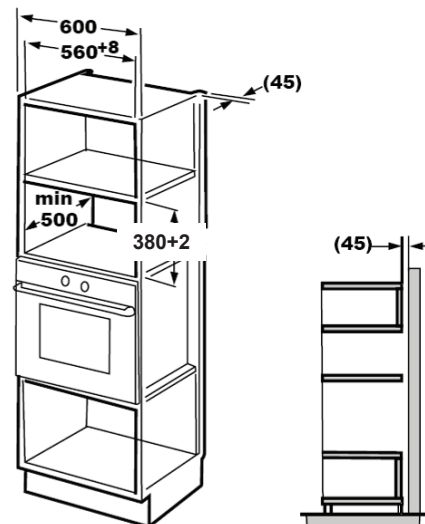
Energy efficient class	A
Volume oven cavity	32L
Function	Microwave with grill and convection
Inner Cavity	Stainless steel
Comfort	J Series Smart Display
	One touch selection
	Turntable Ø 315mm
	Inner cavity light
	Flat internal door
	Full glass exterior
	Aqua clean cavity
Cooking Assistance	4 combination mode with Microwave
	Defrost (by weight / by time)
	Convection mode
	Convection mode (with preheating)
	Multi-stage cooking
	Quick cook
	Grill Combi with convection
	10 Auto Cook Menu
	5 Microwave power levels
Technical Details	
Max Power Output (Microwave)	1000W
Max Power Input (Grill)	1100W
Max Power Input (Convection)	1250W
Accessories	
Turntable	1
Grill Rack	1
Article No.	538.31.130
Product Dimensions (WXHXD)	595mm X 388mm X 467.5mm
Installation Diagram	

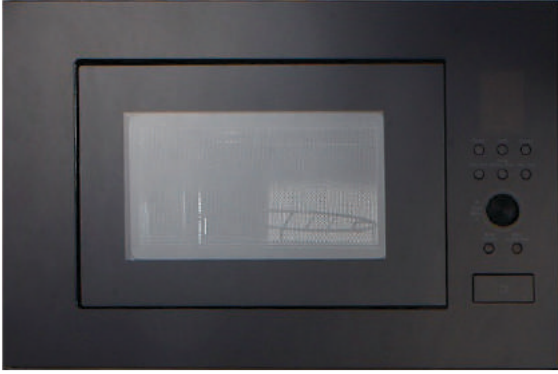


MARIA 28

39 cm Microwave Oven with Grill

Energy efficient class	A
Volume oven cavity	28L
Function	Microwave with grill
Inner Cavity	Stainless steel
Comfort	Electronic LED Display
	Electronic button selection
	Turntable Ø 315mm
	Inner cavity light
	Flat internal door
	Full glass exterior
	Aqua clean cavity
Cooking Assistance	2 combination mode with Microwave
	Defrost (by weight / by time)
	-
	-
	-
	Quick cook
	Grill Combi with Microwave
	8 Auto Cook Menu
	5 Microwave power levels
Technical Details	
Max Power Output (Microwave)	900W
Max Power Input (Grill)	1000W
Max Power Input (Convection)	-
Accessories	
Turntable	1
Grill Rack	1
Article No.	538.31.120
Product Dimensions (WXHXD)	595mm X 388mm X 467.5mm
Installation Diagram	

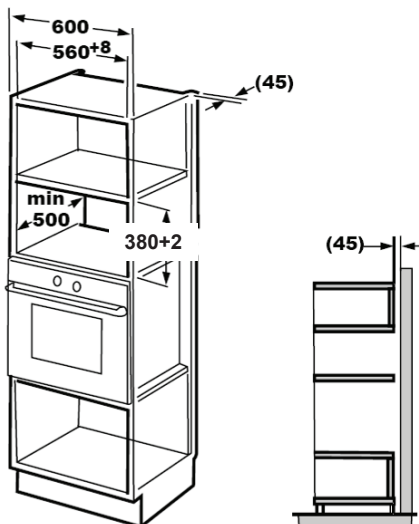




AIDA 28

39 cm Microwave Oven with Grill

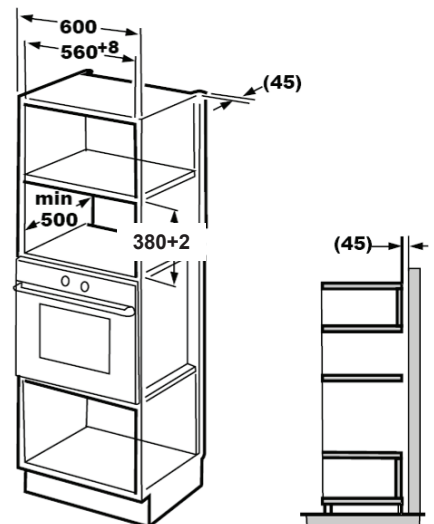
Energy efficient class	A
Volume oven cavity	25L
Function	Microwave with grill
Inner Cavity	Stainless steel
Comfort	Electronic LED Display Jog Dial Selection Turntable Ø 315mm Inner cavity light Flat internal door Anti finger- print exterior panels Aqua clean cavity
Cooking Assistance	2 combination mode with Microwave Defrost (by weight / by time)
	-
	-
	Quick cook
	Grill Combi with Microwave
	8 Auto Cook Menu
	5 Microwave power levels
Technical Details	
Max Power Output (Microwave)	900W
Max Power Input (Grill)	1000W
Max Power Input (Convection)	-
Accessories	
Turntable	1
Grill Rack	1
Article No.	538.30.150
Product Dimensions (WXHXD)	595mm x 394mm x 390mm
Installation Diagram	



DIAMOND 28

39 cm Microwave Oven with Grill

Energy efficient class	A
Volume oven cavity	28L
Function	Microwave with grill
Inner Cavity	Ceramic
Comfort	Smart diamond display One touch selection Flat - no turntable Inner cavity light Flat internal door Full glass exterior Aqua clean cavity
Cooking Assistance	2 combination mode with Microwave Defrost (by weight / by time)
	-
	-
	Quick cook
	Grill Combi with Microwave
	8 Auto Cook Menu
	5 Microwave power levels
Technical Details	
Max Power Output (Microwave)	900W
Max Power Input (Grill)	1000W
Max Power Input (Convection)	-
Accessories	
Turntable	-
Grill Rack	1
Article No.	538.01.071
Product Dimensions (WXHXD)	595mm X 388mm X 467.5mm
Installation Diagram	

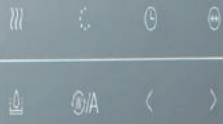


THE HEALTHIEST FORM OF COOKING

Steam cooking is the healthiest form of cooking. Today there is an enormous cultural emphasis on living a healthy lifestyle. Your eating habits largely depend on how your food is prepared. Steam cooking retains more nutrients than other forms of cooking so that your produce tastes better and is healthier.

Steamed vegetables are moist rather than oily or mushy. With a steam cooking you eat more healthy produce than otherwise. This is because steam cooking is so easy and is not dependent on oils.





What can a steam oven do for you?

You can cook, bake, roast, grill, steam, defrost, and regenerate leftovers. This makes the Nagold combi steam oven one of the most versatile appliances in the industry.

Power saving time saving

For busy home makers in India who like to cook many dishes simultaneously Nagold's steam technology is projected to eliminate flavour transfer when two or more dishes are cooked together.

Re-generation of leftovers

Love to eat, but hate leftovers? Steam is the solution. Nagold Steam oven regenerates the leftovers of last night and restores the lost moisture in the food and revitalizes it's taste. The food tastes much fresh compared to a normal re-heating in an oven or a microwave.

Works well for delicate foods

Steaming works well for delicate foods such as scallops and croissants. Use steam to cook vegetables, fish, meats, and add moisture back into the food.

Large Capacity

Nagold steam combination oven comes with a super large capacity of 34L in a compact size. This high capacity is achieved because of the automatic water tank is placed outside the cavity unlike other models available in the market.

80% Faster Steam Generation

A Nagold Steam oven can generate steam 80% faster than the regular steam ovens available in the market. This certainly slashes down the waiting time for your oven to get ready for the dishes to get prepared.

Benefits of Convection

With the combination function, now you can accelerate the cooking pace, by adding more heat inside the cavity. Nagold combi steam oven can take the heat inside the cavity up to 220° C, compared to the regular steam oven that can only attain 100° C of temperature.

The Perfect Blend

Moisture heat and airflow work together to give the best results of cooking. Who wouldn't like to enjoy a healthy meal cooked and served perfectly! With Nagold's combi steam oven, you can completely eliminate the cooking with oil or butter.

No More Dry!

The baking results are amazing in the Nagold's combi steam oven. The regular electric oven gives a very dry output of the baked food, as a result of which a thick chunk of the upper crust of the baked cake needs to be thrown away. With the Nagold's combi steam oven, the baking is much more softer and you do not need to add warm water to the batter to get a smooth and soft cake surface.

One Touch Function

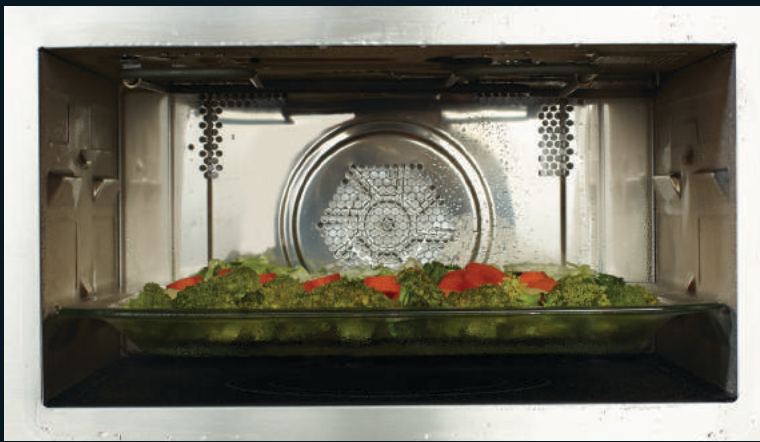
Just by a touch you can select your favourite setting of the oven. This gives you precise and fine control.

The Auto Descaling Function

The auto descaling function ensure the steam oven is cleaned from the scaling accumulation in the cavity and pipe.







HEALTHY AND MOIST COOKING

Steam restores the lost moisture into your meals so that they taste as good as they did when they were first cooked. Steam ovens have the capability to reach high temperatures and can thoroughly cook a chicken in twenty minutes. So you steam will be faster with a better quality of taste and texture.





THE AUTOMATIC WATER TANK

The water reservoir can accommodate 1.2L of water that can suffice a cooking cycle of 120 mins. The water tank has a sensor, that can let you know when its time for a refilling. In case the water falls short during a very long cooking cycle, then you do not need to open the cavity. Just with one touch the automatic water tank comes out and you can access the reservoir for the refilling. This will not allow the steam generated inside the cavity to escape.



J34CST

45 cm Combi Steam Oven

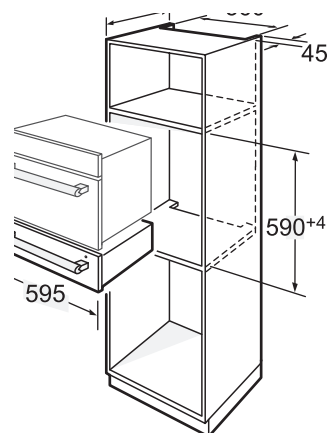
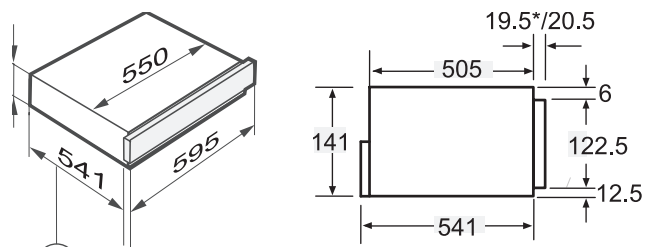
Energy efficient class	A
Electric multifunction	Cooking functions*
Oven volume	34 Litres
Microwave power level	-
Preset cooking functions	25 Auto cook menu
Electrical requirements	220-240V / 50-60Hz
Cooking temperature range	50° C - 220° C
Nominal power	2.9 KW
Max amp usage	15 A
Energy rating	A
Functions*	Convection, Grill, Convection Grill, Convection Steaming, Steaming, Regeneration, Auto cooking modes.
Design	Glass design
Display	High resolution LED display interface
Controls	Full touch control
Glass Door	Double glass oven door
Special Features	Combination cooking, Regeneration, Auto open water tank of 1.2L Capacity outside the cavity
Accessory	Glass Tray
Article No.	538.01.011
Product Dimensions (WXHxD)	595 mm X 455 mm X 472 mm
Installation Diagram	Refer page # 65



OLIVIA - G

15 cm Warming Drawer

Finish	Glass
Operation	Touch
Base Material Cover	Rubber Mat (Anti-skid)
Power	810W
Indicator	LED
Capacity	25 kg
Cooking temperature range	50° C - 85° C
Article No.	538.51.810
Product Dimensions (WXHxD)	595mmX141mmX541mm
Installation Diagrams	



Compact appliances H:454mm

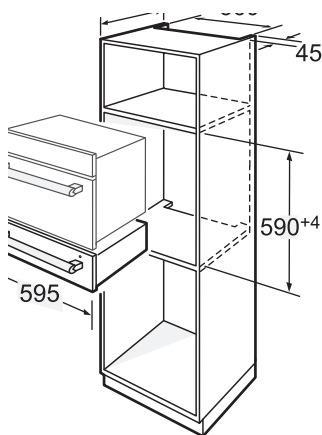
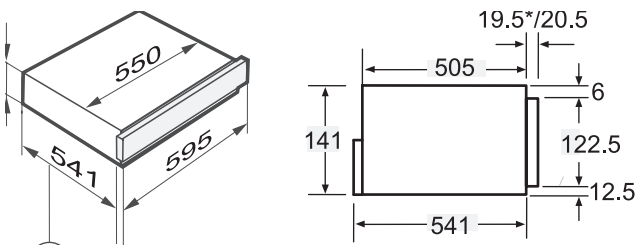


OLIVA - S
15 cm Warming Drawer

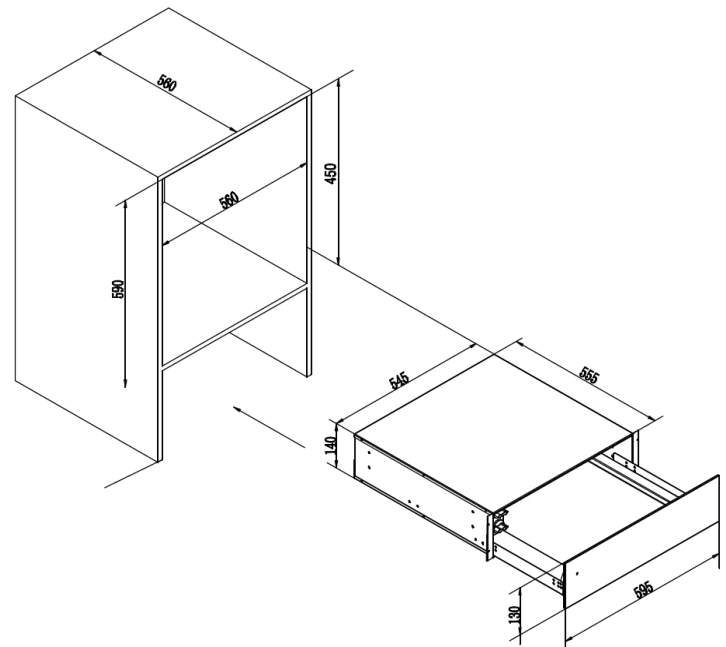
Finish	Stainless Steel
Operation	Touch
Base Material Cover	Rubber Mat (Anti-skid)
Power	810W
Indicator	LED
Capacity	25 kg
Cooking temperature range	50° C - 85° C
Article No.	538.51.811
Product Dimensions (WXHXD)	595mmX141mmX541mm
Installation Diagrams	

J15 WD M
15 cm Warming Drawer

Finish	Glass
Operation	Knob
Base Material Cover	Rubber Mat (Anti-skid)
Power	510W
Indicator	LED
Capacity	22 kg
Cooking temperature range	50° C - 75° C
Article No.	538.51.800
Product Dimensions (WXHXD)	595mmX140mmX555mm
Installation Diagrams	



Compact appliances H:454mm





A NEVER-SEEN-BEFORE
COMBINATION OF
ETCHED BRASS RINGS
CROWNING THE BLACK-
COATED SUPERNOVA
BURNERS





AN IDEAL SOLUTION THAT CATERS TO THE UNIQUE STYLES OF INDIAN COOKING...

J-series by Nagold introduces you to a unique design in built-in hobs that is extremely suitable for Indian cooking patterns. Equipped with efficient supernova brass burners, these hobs are effortlessly aligned to the design philosophy of the J-series range, integrating power, elegance and technology to perfection. The unique design unfolds a never-seen-before combination of orange brass rings crowning the black-coated burners, the insulated black glass body and elegant metallic knobs - making way for a strikingly smart hob that fits seamlessly into your kitchen worktop.

Hafele now presents to you the efficiency of the traditional wood-fire Indian cooking along with the convenience of modern technology through its range of ORO built-in hobs from Nagold's J-series. These hobs come with supernova brass burners which have been engineered to provide the most favorable flame for Indian cooking styles - the flame automatically takes the shape of the cooking pot be it a round-bottomed wok or a flat-bottomed pan!



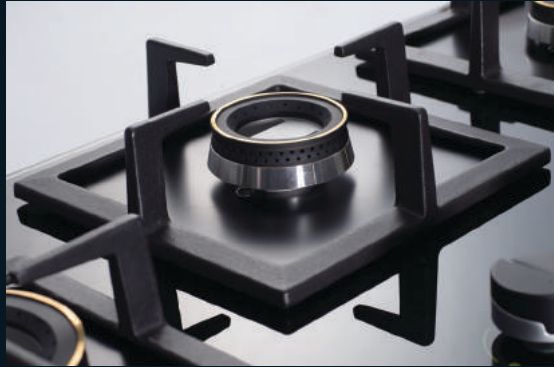
IT'S ALL ABOUT SAFETY...

Know more about safety features in your hob ...



Nagold Gas Hobs come with an in-built safety feature called the FFSD or 'Flame Failure Safety Device'. The FFSD activates the moment the gas burner flame goes off and automatically cuts off the gas supply to the burners thus preventing any instance of gas leakage. The result – your kitchen and home is safe from any kind of gas leakage accidents.

Once the thermocouple comes in contact with heat (generated through the lit flame) it sends a message to the FFSD valve through the coil, which in turn compresses the spring within the valve and generates gas supply. In case the flame goes off accidentally, the thermocouple cools down and releases the spring within the FFSD valve, thereby cutting off the gas supply to the burner. This process secures your appliance and kitchen environment of any gas leakage.



New pan supports Design

Our sleek gas-on-glass hobs now feature smart square and round - design pan supports that only look good, but provide more stable support for pots and pans. Cleverly designed to give the impression of a stylish elongated support, they are in fact separate pieces, which makes them very easy to handle and clean.



Control Knobs

High-quality soft touch knobs with high heat resistance and durability. Premium Soft touch knobs have a special coating that is soft to touch and will not get heated faster.



Electronic Ignition

Nagold hobs feature automatic ignition for one-touch control. Integrated into the knobs, electronic ignition is achieved via the control dials - simply push and turn, no need to press separate ignition buttons.



THE SUPERNOVA NOVELTY!

The unique flavours and tastes of Indian cooking are well-known across the globe – an enticing whiff in the neighbourhood can reveal what’s cooking! What makes Indian cuisines so different from any other cuisine in the world is the inimitable amalgamation of spices and flavours. These spices may vary from region to region but surprisingly, they follow the same principle in cooking – they have to be sautéed, simmered and braised at the right temperature and with optimum heat distribution. The essence of spices is that they have to travel to every morsel of the food and effectively penetrate the inherent flavours into the cuisine. Traditionally, a free wood-fire flame was used to facilitate such detailing in Indian cooking; where the flame took the shape of the cooking pot ensuring maximum heat distribution with no loss of essential energy. Today, while technology has added the much needed convenience in cooking, it has at some level diminished the integral effectiveness of a free wood-fire flame. The pace of life and the need for quick-fix solutions is gradually reducing the exotic flavours of Indian cooking.

The targeted inner flame (0.3 – 5kW) of the supernova burners delivers heat with high effectiveness and accuracy exactly where it is needed – in the middle of the wok bottom. This leads to cooking effects that are otherwise only possible with special Indian lotus wok burners. The flame concentration at the middle gives the user the freedom to choose round or flat bottom pans.

Our supernova burners are a respite from the conventional burners - where some parts of the flame tend to sway away from the cooking pot resulting in the loss of heat and energy which are essential to the cooking. The additional advantage of the new supernova burners is that it comes with an outer flame ring that can be adjusted from 0.3 kW (e.g. for sensitive cooking like melting chocolate or preparing sauces) to a maximum of 5 kW (for heavy cooking like stewing curries or flavoured rice).

Variations:

Big Supernova Wok Burner : Triple ring flames, with adjustable inner ring flames.

Mini Wok Burner : Triple ring flames.



Oro 000





Oro 90-5





Oro 90-4





Oro 90-3





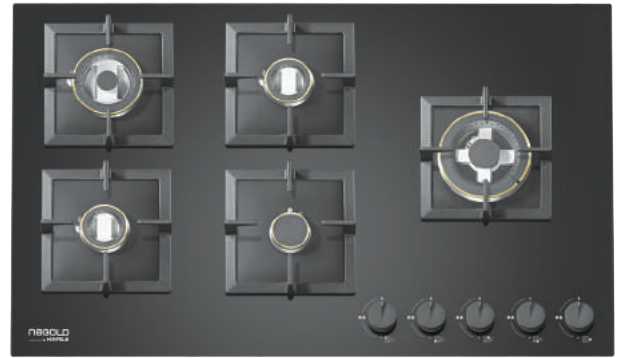
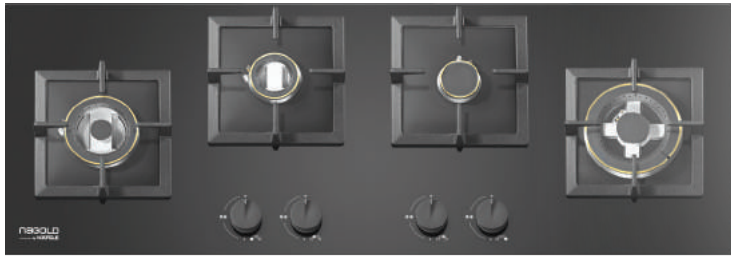
Aura 78





Oro 60





ORO 000

100 cm Built In Hob

Finish	8mm Toughened Glass - Black
Design	4 Burner
Safety	Flame failure safety device
Ignition	Electric Auto
Pan Support	Cast Iron
Knobs	Soft Touch Knob
Burners	Supernova brass burners
Wok Burner Design	Direct Flame

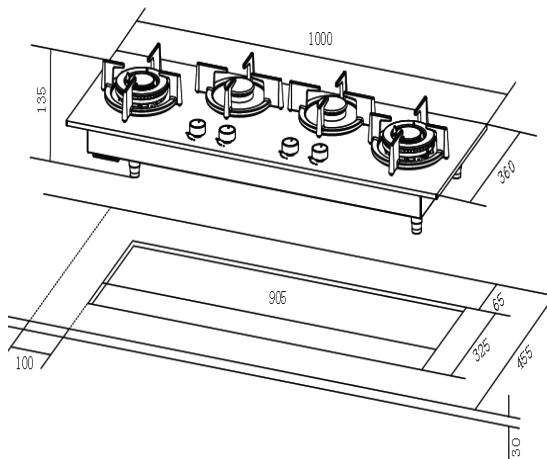
Cooking Zones

Triple Flame Burner	1 X 5kW
Mini Triple Flame Burner	1 X 3kW
Dual Flame Burner	1 X 2kW
Single Flame Burner	1 X 1kW
Article No.	538.06.049

Outer Product Dimensions (WXDXH) 1000mm X 360mm X 145mm

Cut out Dimensions (WXDXH) 905mm X 325mm X 135mm

Installation Diagrams



ORO 90-5

90 cm Built In Hob

Finish	8mm Toughened Glass - Black
Design	5 Burner
Safety	Flame failure safety device
Ignition	Electric Auto
Pan Support	Cast Iron
Knobs	Soft Touch Knob
Burners	Supernova brass burners
Wok Burner Design	Direct Flame

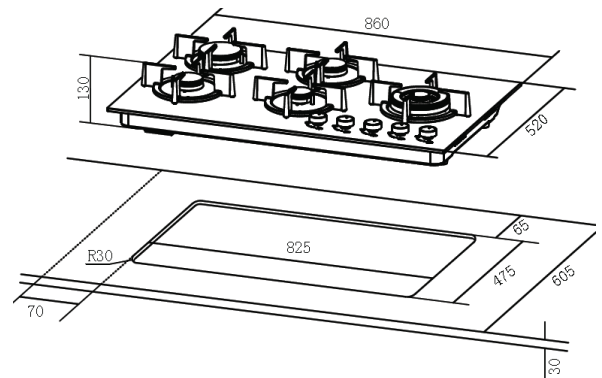
Cooking Zones

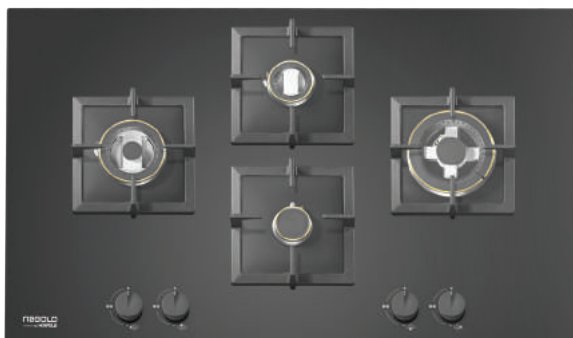
Triple Flame Burner	1 X 5kW
Mini Triple Flame Burner	1 X 3kW
Dual Flame Burner	2 X 2kW
Single Flame Burner	1 X 1kW
Article No.	538.06.058

Outer Product Dimensions (WXDXH) 860mm X 520mm X 130mm

Cut out Dimensions (WXDXH) 825mm X 475mm X 100mm

Installation Diagrams





ORO 90-4
90 cm Built In Hob

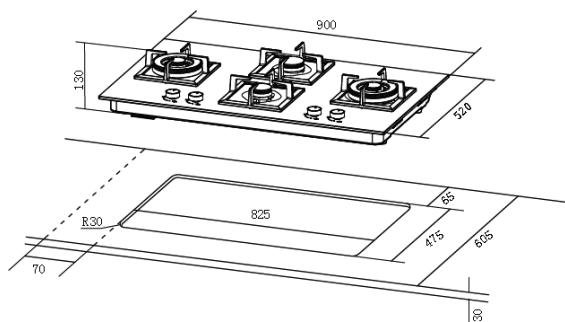
Finish	8mm Toughened Glass - Black
Design	4 Burner
Safety	Flame failure safety device
Ignition	Electric Auto
Pan Support	Cast Iron
Knobs	Soft Touch Knob
Burners	Supernova brass burners
Wok Burner Design	Direct Flame

Cooking Zones

Triple Flame Burner	1 X 5kW
Mini Triple Flame Burner	1 X 3kW
Dual Flame Burner	1 X 2kW
Single Flame Burner	1 X 1kW

Article No.	538.06.038
Outer Product Dimensions (WXDXH)	860mm X 520mm X 130mm
Cut out Dimensions (WXDXH)	825mm X 475mm X 100mm

Installation Diagrams



ORO 90-3
90 cm Built In Hob

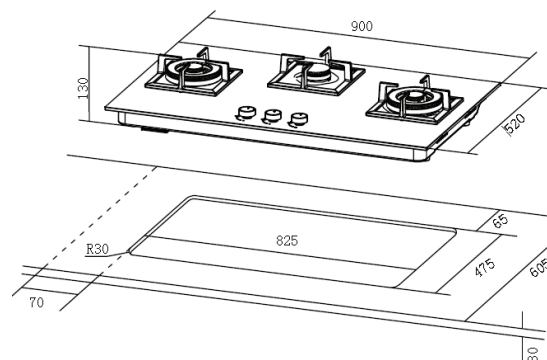
Finish	8mm Toughened Glass - Black
Design	3 Burner
Safety	Flame failure safety device
Ignition	Electric Auto
Pan Support	Cast Iron
Knobs	Soft Touch Knob
Burners	Supernova brass burners
Wok Burner Design	Direct Flame

Cooking Zones

Triple Flame Burner	1 X 5kW
Mini Triple Flame Burner	1 X 3kW
Dual Flame Burner	1 X 2kW
Single Flame Burner	-

Article No.	538.06.018
Outer Product Dimensions (WXDXH)	860mm X 520mm X 130mm
Cut out Dimensions (WXDXH)	825mm X 475mm X 100mm

Installation Diagrams





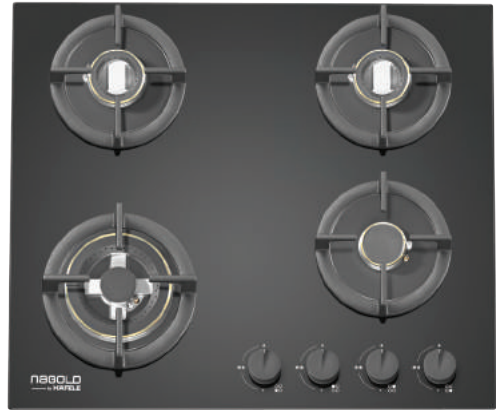
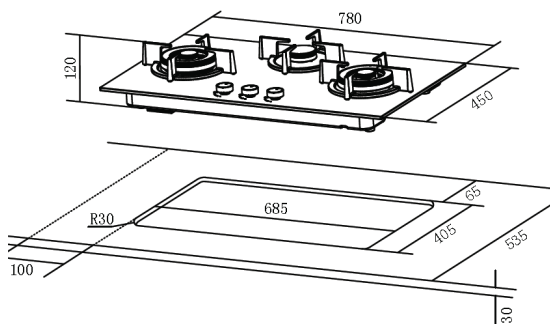
AURA 78
78 cm Built In Hob

Finish	8mm Toughened Glass - Black
Design	3 Burner
Safety	Flame failure safety device
Ignition	Electric Auto
Pan Support	Cast Iron
Knobs	Soft Touch Knob
Burners	Supernova brass burners
Wok Burner Design	Direct Flame

Cooking Zones

Triple Flame Burner	2 X 5kW
Mini Triple Flame Burner	-
Dual Flame Burner	1 X 2kW
Single Flame Burner	-
Article No.	538.06.007
Outer Product Dimensions (WXDXH)	780mm X 450mm X 120mm
Cut out Dimensions (WXDXH)	685mm X 405mm X 100mm

Installation Diagrams



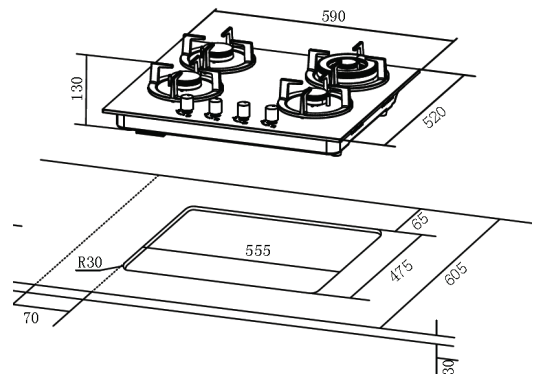
ORO 60
60 cm Built In Hob

Finish	8mm Toughened Glass - Black
Design	4 Burner
Safety	Flame failure safety device
Ignition	Electric Auto
Pan Support	Cast Iron
Knobs	Soft Touch Knob
Burners	Supernova brass burners
Wok Burner Design	Direct Flame

Cooking Zones

Triple Flame Burner	1 X 5kW
Mini Triple Flame Burner	-
Dual Flame Burner	2 X 2kW
Single Flame Burner	1 X 1kW
Article No.	538.06.020
Outer Product Dimensions (WXDXH)	590mm X 520mm X 130mm
Cut out Dimensions (WXDXH)	555mm X 475mm X 100mm

Installation Diagrams





ORO 80-4

80 cm Built In Hob

Finish	8mm Toughened Glass - Black
Design	4 Burner
Safety	Flame failure safety device
Ignition	Electric Auto
Pan Support	Cast Iron
Knobs	Soft Touch Knob
Burners	Supernova brass burners
Wok Burner Design	Direct Flame

Cooking Zones

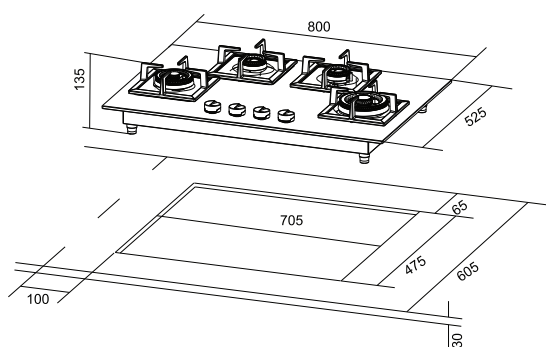
Triple Flame Burner	1 X 5kW
Mini Triple Flame Burner	1 X 3kW
Dual Flame Burner	2 X 2kW
Single Flame Burner	-

Article No.	538.01.756
-------------	------------

Outer Product Dimensions (WXDXH)	800mm X 520mm X 145mm
----------------------------------	-----------------------

Cut out Dimensions (WXDXH)	705mm X 475mm X 100mm
----------------------------	-----------------------

Installation Diagrams



ORO 80-3

80 cm Built In Hob

Finish	8mm Toughened Glass - Black
Design	3 Burner
Safety	Flame failure safety device
Ignition	Electric Auto
Pan Support	Cast Iron
Knobs	Soft Touch Knob
Burners	Supernova brass burners
Wok Burner Design	Direct Flame

Cooking Zones

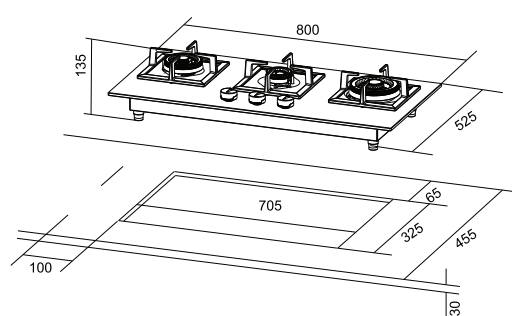
Triple Flame Burner	1 X 5kW
Mini Triple Flame Burner	1 X 3kW
Dual Flame Burner	1 X 2kW
Single Flame Burner	-

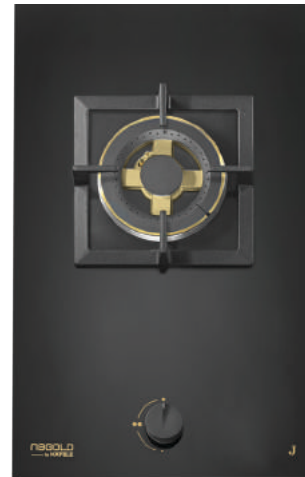
Article No.	538.01.766
-------------	------------

Outer Product Dimensions (WXDXH)	800mm X 410mm X 145mm
----------------------------------	-----------------------

Cut out Dimensions (WXDXH)	705mm X 325mm X 100mm
----------------------------	-----------------------

Installation Diagrams





ORO 60-3
60 cm Built In Hob

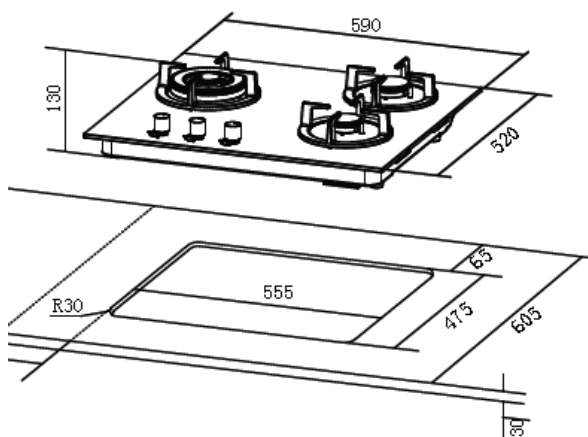
Finish	8mm Toughened Glass - Black
Design	3 Burner
Safety	Flame failure safety device
Ignition	Electric Auto
Pan Support	Cast Iron
Knobs	Soft Touch Knob
Burners	Supernova brass burners
Wok Burner Design	Direct Flame

Cooking Zones

Triple Flame Burner	1 X 5kW
Mini Triple Flame Burner	1 X 3kW
Dual Flame Burner	1 X 2kW
Single Flame Burner	-

Article No.	538.01.741
Outer Product Dimensions (WXDXH)	595mm X 525mm X 130mm
Cut out Dimensions (WXDXH)	555mm X 475mm X 100mm

Installation Diagrams



ORO 30
30 cm Built In Hob

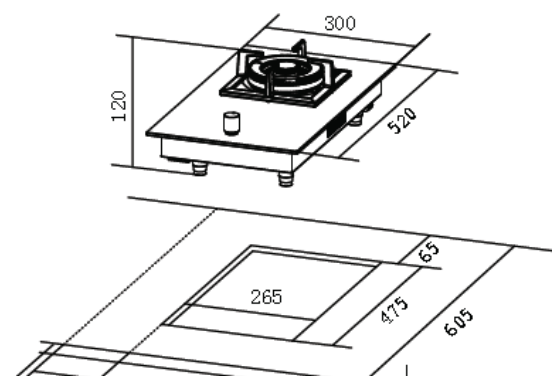
Finish	8mm Toughened Glass - Black
Design	1 Burner
Safety	Flame failure safety device
Ignition	Electric Auto
Pan Support	Cast Iron
Knobs	Soft Touch Knob
Burners	Supernova brass burners
Wok Burner Design	Direct Flame

Cooking Zones

Triple Flame Burner	1 X 5kW
Mini Triple Flame Burner	-
Dual Flame Burner	-
Single Flame Burner	-

Article No.	538.01.770
Outer Product Dimensions (WXDXH)	300mm X 520mm X 145mm
Cut out Dimensions (WXDXH)	265mm X 475mm X 100mm

Installation Diagrams





ORO 30-2
30 cm Built In Hob

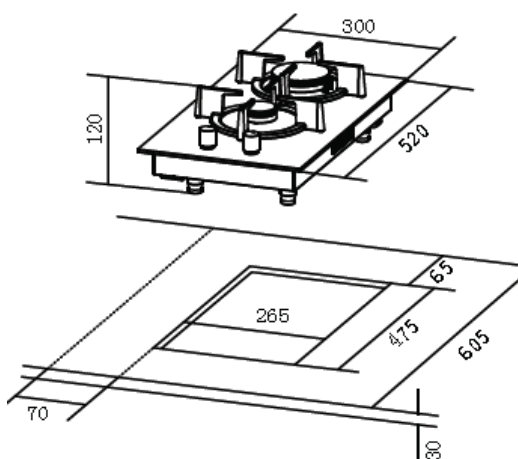
Finish	8mm Toughened Glass - Black
Design	2 Burner
Safety	Flame failure safety device
Ignition	Electric Auto
Pan Support	Cast Iron
Knobs	Soft Touch Knob
Burners	Supernova brass burners
Wok Burner Design	Direct Flame

Cooking Zones

Triple Flame Burner	-
Mini Triple Flame Burner	1 X 3kW
Dual Flame Burner	-
Single Flame Burner	1 X 1kW

Article No.	538.01.780
Outer Product Dimensions (WXDXH)	300mm X 520mm X 120mm
Cut out Dimensions (WXDXH)	265mm X 475mm X 100mm

Installation Diagrams



ORO 30-D
30 cm Built In Hob

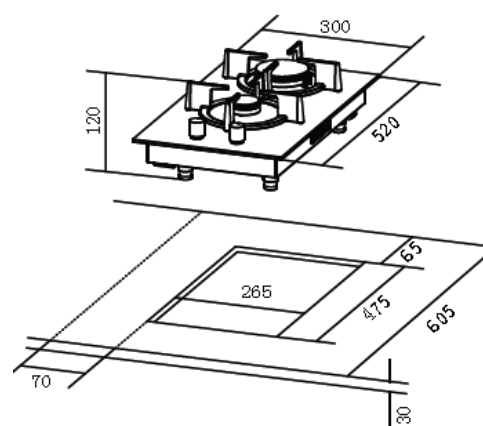
Finish	8mm Toughened Glass - Black
Design	2 Burner
Safety	Flame failure safety device
Ignition	Electric Auto
Pan Support	Cast Iron
Knobs	Soft Touch Knob
Burners	Supernova brass burners
Wok Burner Design	Direct Flame

Cooking Zones

Triple Flame Burner	-
Mini Triple Flame Burner	-
Dual Flame Burner	2 X 2kW
Single Flame Burner	-

Article No.	538.01.790
Outer Product Dimensions (WXDXH)	300mm X 520mm X 120mm
Cut out Dimensions (WXDXH)	265mm X 475mm X 100mm

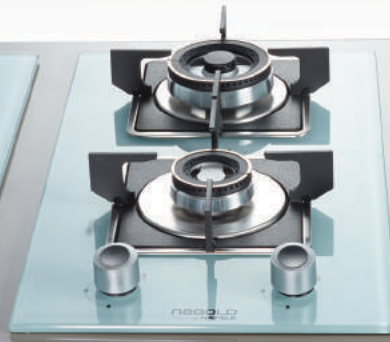
Installation Diagrams



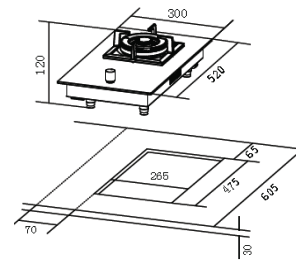
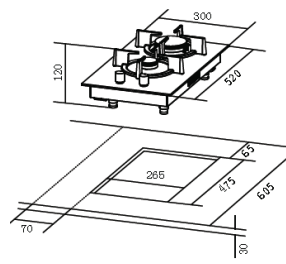
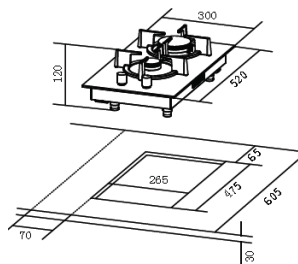


SIMPLE BRIGHT
AND COHERENT -
NAGOLD PRESENTS
THE IVORY
COLLECTION OF
HOBS FOR YOUR
KITCHEN





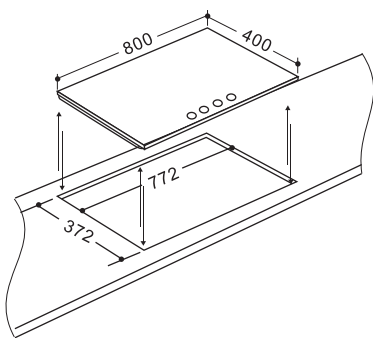
	IVA 30D 30 cm Built In Hob	IVA 30-2 30 cm Built In Hob	IVA 30 30 cm Built In Hob
Finish	8mm Toughened Glass - White	8mm Toughened Glass - White	8mm Toughened Glass - White
Design	2 burners	2 burners	1 burner
Safety	Flame failure safety device	Flame failure safety device	Flame failure safety device
Ignition	Electric Auto	Electric Auto	Electric Auto
Pan Support	Flat Steel	Flat Steel	Flat Steel
Knobs	Soft Touch Knob	Soft Touch Knob	Soft Touch Knob
Burners	Supernova brass burners	Supernova brass burners	Supernova brass burners
Wok Burner Design	5 Gas Injection Nozzle	5 Gas Injection Nozzle	5 Gas Injection Nozzle
Cooking Zones			
Triple Flame Burner	-	-	1 X 5kW
Mini Triple Flame Burner	-	1 X 3kW	-
Dual Flame Burner	2 X 2kW	1 X 2kW	-
Single Flame Burner	-	-	-
Article No.	538.02.711	538.02.721	538.02.881
Outer Product Dimensions (WXDXH)	300mm X 510mm X 116mm	300mm X 510mm X 116mm	300mm X 510mm X 116mm
Cut out Dimensions (WXDXH)	265mm X 485mm X 100mm	265mm X 485mm X 100mm	265mm X 485mm X 100mm
Installation Diagrams			





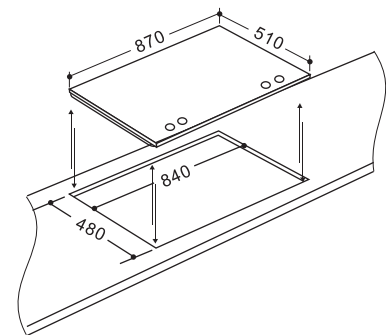
IVA 80-3
80 cm Built In Hob

Finish	8mm Toughened Glass - White
Design	3 burners
Safety	Flame failure safety device
Ignition	Electric Auto
Pan Support	Flat Steel
Knobs	Soft Touch Knob
Burners	Supernova brass burners
Wok Burner Design	5 Gas Injection Nozzle
Cooking Zones	
Triple Flame Burner	1 X 5kW
Mini Triple Flame Burner	1 X 3kW
Dual Flame Burner	1 X 2kW
Single Flame Burner	-
Article No.	538.02.866
Outer Product Dimensions (WXDXH)	800mm X 400mm X 116mm
Cut out Dimensions (WXDXH)	772mm X 372mm X 100mm
Installation Diagrams	



IVA 90-4
90 cm Built In Hob

Finish	8mm Toughened Glass - White
Design	4 burners
Safety	Flame failure safety device
Ignition	Electric Auto
Pan Support	Flat Steel
Knobs	Soft Touch Knob
Burners	Supernova brass burners
Wok Burner Design	5 Gas Injection Nozzle
Cooking Zones	
Triple Flame Burner	1 X 5kW
Mini Triple Flame Burner	1 X 3kW
Dual Flame Burner	1 X 2kW
Single Flame Burner	1X1kW
Article No.	538.02.739
Outer Product Dimensions (WXDXH)	870mm X 510mm X 116mm
Cut out Dimensions (WXDXH)	840mm X 480mm X 100mm
Installation Diagrams	



ARCHITECTURE IS A LABEL THAT CAN BE GIVEN TO HOUSEHOLD OBJECTS TOO

The Ivory range of hobs defines coherence and brightness. It simply fits in and synchronizes with any theme and decor of your kitchen.

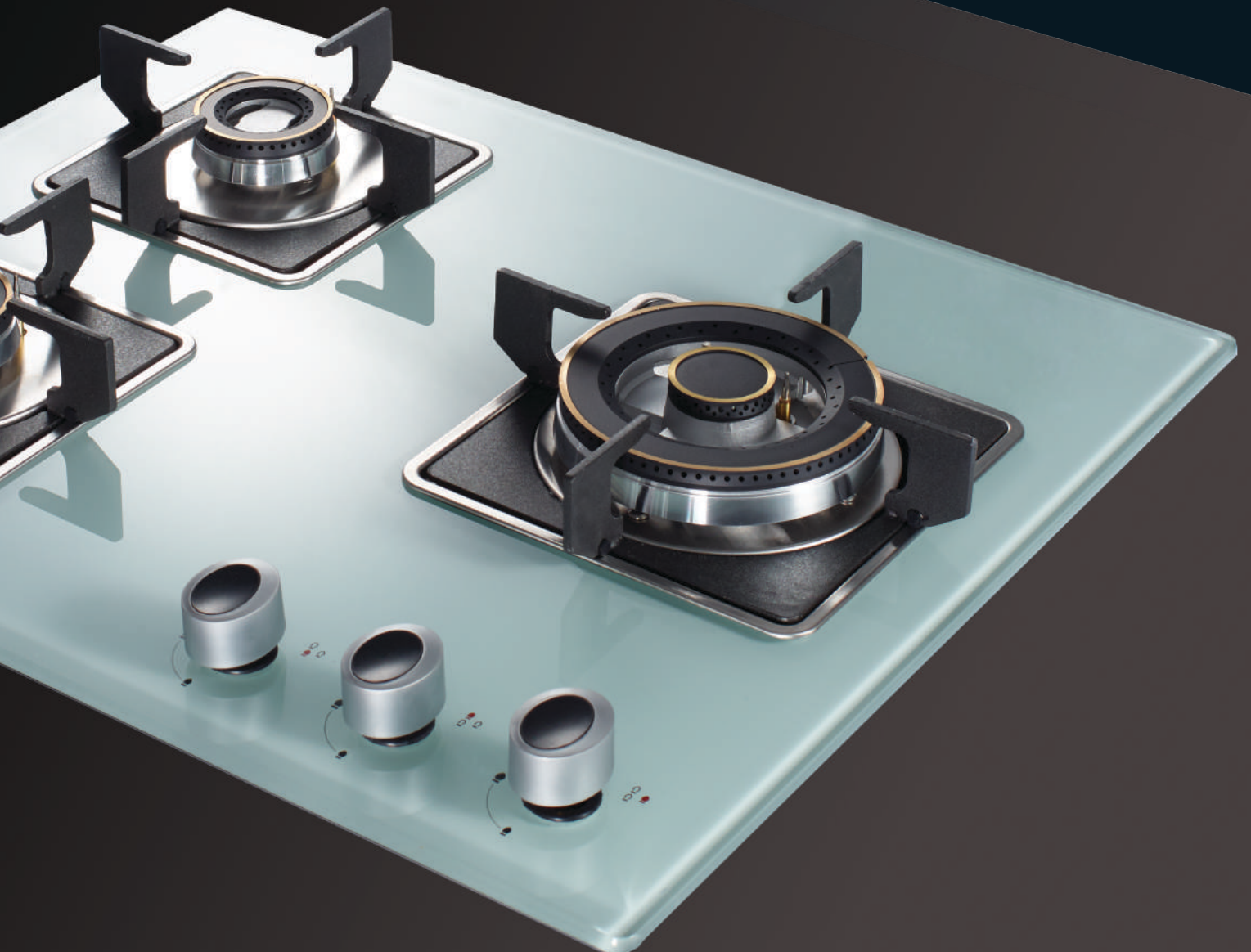
Supernova Burners - Smart , powerful and efficient. The White hob comes with the goodness of supernova burners that is just suitable for a fast and efficient cooking requirement.

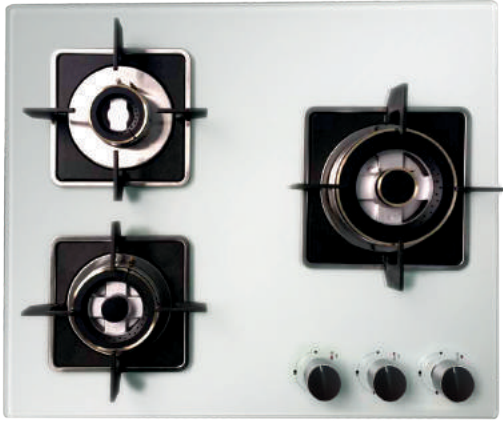
Designer pan supports - Better stability and durability. The new design of pan supports improve the stability and enhance the appearance of the new Nagold Ivory range of designer hobs. They are made of a material that makes them durable and resistant even to the highest temperatures.

Flame Failure Safety Device - We care for your safety. Avoid fire accidents due to leakage of gas with The Flame Failure Safety device. When the flame accidently goes off, the gas supply only to that burner will automatically is cut off !



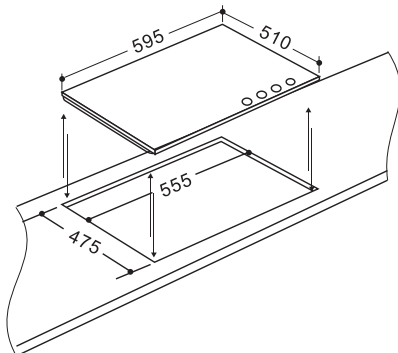
IVA 60 D





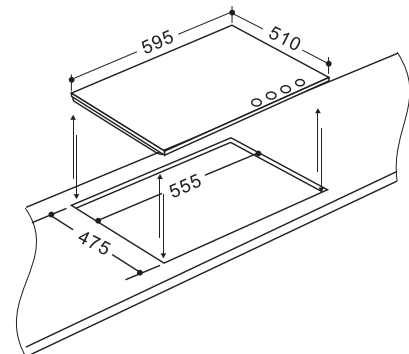
IVA 60-3
60 cm Built In Hob

Finish	8mm Toughened Glass - White
Design	3 burners
Safety	Flame failure safety device
Ignition	Electric Auto
Pan Support	Flat Steel
Knobs	Soft Touch Knob
Burners	Supernova brass burners
Wok Burner Design	5 Gas Injection Nozzle
Cooking Zones	
Triple Flame Burner	1 X 5kW
Mini Triple Flame Burner	1 X 3kW
Dual Flame Burner	1 X 2kW
Single Flame Burner	-
Article No.	538.02.832
Outer Product Dimensions (WXDXH)	595mm X 510mm X 116mm
Cut out Dimensions (WXDXH)	555mm X 475mm X 100mm
Installation Diagrams	



IVA 60-D
60 cm Built In Hob

Finish	8mm Toughened Glass - White
Design	3 burners
Safety	Flame failure safety device
Ignition	Electric Auto
Pan Support	Flat Steel
Knobs	Soft Touch Knob
Burners	Supernova brass burners
Wok Burner Design	5 Gas Injection Nozzle
Cooking Zones	
Triple Flame Burner	1 X 5kW
Mini Triple Flame Burner	-
Dual Flame Burner	2 X 2kW
Single Flame Burner	-
Article No.	538.02.822
Outer Product Dimensions (WXDXH)	595mm X 510mm X 116mm
Cut out Dimensions (WXDXH)	555mm X 475mm X 100mm
Installation Diagrams	







Induction Cooking Technology



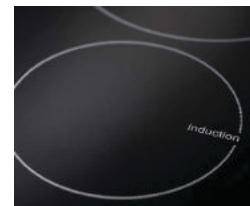
Safe Cooking

Nagold induction hobs are built with extra safety features that enable you to cook with ease. There are no open flames and it's only your pot that is heated up while cooking. If there's no contact with a pot, the heating stops automatically. The small object safety feature ensures that the hob will not be activated by any other extraneous object - such as a tea spoon that might have accidentally been dropped on the hob.



Quick & Easy Cleaning

Since the vitroceramic surface doesn't heat up, overspilled food won't burn on the hob, which makes it easy to clean.



Safety, efficiency and cleanliness

This is the latest and most efficient cooking technology available. Induction hobs heat up only when there's a pot on the vitroceramic surface, while the rest of it gets barely warm.

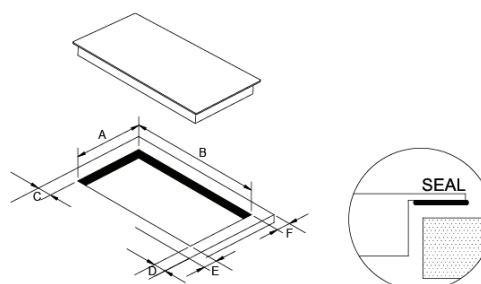
When the pot is placed on the induction zone, this magnetic field transfers heat directly to the cooking pan. The only result is a rapid increase in food temperature that can be precisely regulated.



BELLA 30

30 cm Domino Induction Hob

Cooking Zones	2 Induction Zones
Worktop Design	SCHOTT Glass
Worktop Control	Full touch interface
Power Levels	9 stage
Keep Warm Function	Yes
Bridge Function	-
Cooking Zone Power	
Front Right / Front	Ø 14 cm, 1500 W
Back Right	-
Front Left	-
Back Left / Back	Ø 18 cm, 2000 W
Residual Heat Indicator	Yes
Electrical Requirement	220/240 V, 50/60 Hz, 24 A, 3500 W
Article No.	538.09.501
Product Dimensions (WXHXD)	288 mm X 58 mm X 520 mm
Cut out Dimensions (WXD)	260 mm X 490 mm
Installation Diagrams	



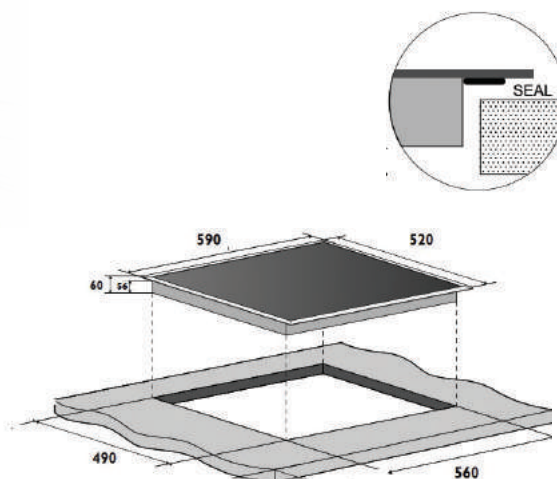
A(mm)	B(mm)	C(mm)	D(mm)	E(mm)	F(mm)
268 ⁺⁴ -0	500 ⁺⁴ -0	50mini	50 mini	50 mini	50 mini





ELENA 60
60 cm Induction Hob

Cooking Zones	4 Induction Zones
Worktop Design	SCHOTT Glass
Worktop Control	Full touch interface
Power Levels	9 with double booster function
Keep Warm Function	Yes
Bridge Function	-
Cooking Zone Power	
Front Right / Front	Ø 18 cm, 2000 W
Back Right	Ø 14 cm, 1500 W
Front Left	Ø 14 cm, 1500 W
Back Left / Back	Ø 18 cm, 2100 W
Residual Heat Indicator	Yes
Electrical Requirement	220/240 V, 50/60 Hz, 31 A, 7000 W
Article No.	538.09.801
Product Dimensions (WXHxD)	590 mm X 60 mm X 520 mm
Cut out Dimensions (WXD)	560 mm X 490 mm
Installation Diagrams	



BUILT-IN ALUMINIUM GAS HOBS

Suitable for Indian cooking

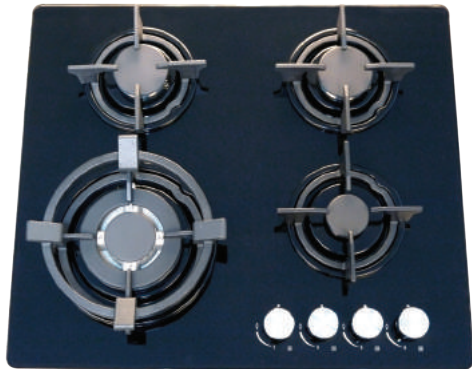
DURABILITY, EFFICIENCY and SAFETY is best described in the Nagold range of built-in gas hobs that are easy to operate and meet all your cooking requirements with unmatched functionality!

The new range of Nagold gas hobs are designed essentially for Indian cooking requirements. Nagold's built-in gas hobs are made of black tempered crystal glass or non-corrosive grade of stainless steel – the choice is with you to select the one that best matches the elegance of your kitchen. Equipped with the latest technologies in the market, these hobs come with superior quality aluminium burners, an auto-ignition function and in-built safety device that prevents the leakage of gas during any eventuality of the extinguishment of the burner flame.

They are built into the kitchen counter leaving no risk of food residues collecting underneath – with Nagold's range of built-in hobs, you can now say no to unwanted accumulated bacterial attacks!

Once installed, they are easy to maintain – all you have to do is wipe them clean with a wet sponge after every cooking cycle. The Nagold series of built-in hobs look great, cook faster and remain with you for a long time!

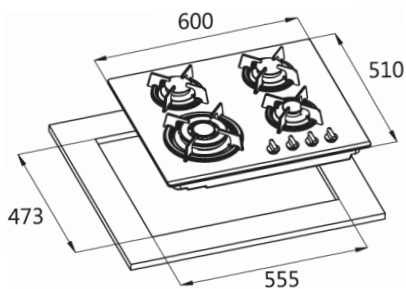




ELITE G01

60 cm Built In Hob

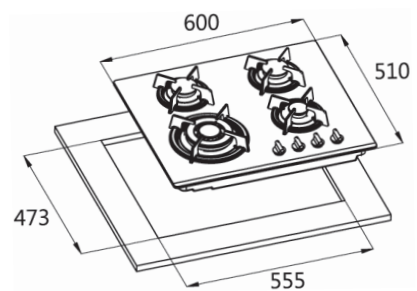
Finish	Toughened Glass 8mm thickness
Design	4 burner
Safety	Flame failure safety device
Ignition	Electric Auto
Pan Support	Cast Iron
Knobs	Metal
Burners	Aluminium
Additional Accessory	Wok adaptor
Cooking Zones	
Wok Burner	1 X 3.0kW
Rapid Burner	-
Semi Rapid	2 X 1.5kW
Auxiliary	1 X 0.9kW
Article No.	538.01.571
Outer Product Dimensions (WXDXH)	600mm X 510mm X 120mm
Cut out Dimensions (WXDXH)	555mm X 473mm X 100mm
Installation Diagrams	



SPREE G01

60 cm Built In Hob

Finish	Toughened Glass 8mm thickness
Design	4 burner
Safety	Flame failure safety device
Ignition	Electric Auto
Pan Support	Cast Iron
Knobs	Plastic
Burners	Aluminium
Additional Accessory	Wok adaptor
Cooking Zones	
Wok Burner	1 X 3.0kW
Rapid Burner	-
Semi Rapid	2 X 1.75kW
Auxiliary	1 X 0.9kW
Article No.	538.01.732
Outer Product Dimensions (WXDXH)	600mm X 510mm X 120mm
Cut out Dimensions (WXDXH)	555mm X 473mm X 100mm
Installation Diagrams	



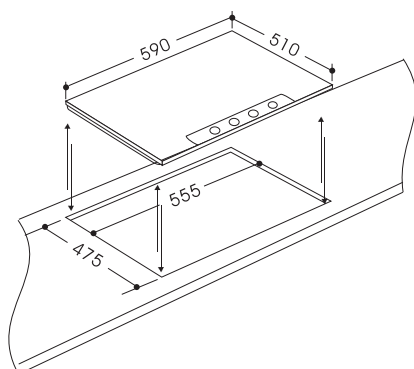


MURR 60

60 cm Built In Hob

Finish	Stainless Steel
Design	4 burner
Safety	Flame failure safety device
Ignition	Electric Auto
Pan Support	Cast Iron
Knobs	Metal
Burners	Aluminium
Additional Accessory	Wok adaptor
Cooking Zones	
Wok Burner	1 X 3.0kW
Rapid Burner	-
Semi Rapid	2 X 1.75kW
Auxiliary	1 X 0.9kW
Article No.	538.02.631
Outer Product Dimensions (WXDXH)	590mm X 510mm X 120mm
Cut out Dimensions (WXDXH)	555mm X 473mm X 100mm

Installation Diagrams

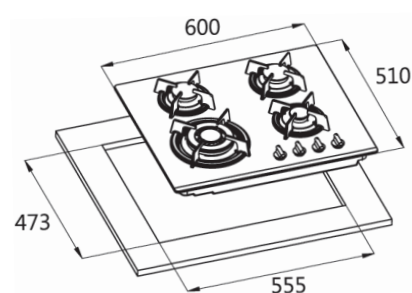


SPREE S01

60 cm Built In Hob

Finish	Stainless Steel
Design	4 burner
Safety	Flame failure safety device
Ignition	Electric Auto
Pan Support	Cast Iron
Knobs	Metal
Burners	Aluminium
Additional Accessory	Wok adaptor
Cooking Zones	
Wok Burner	1 X 3.0kW
Rapid Burner	-
Semi Rapid	2 X 1.75kW
Auxiliary	1 X 0.9kW
Article No.	538.01.722
Outer Product Dimensions (WXDXH)	600mm X 510mm X 120mm
Cut out Dimensions (WXDXH)	555mm X 473mm X 100mm

Installation Diagrams

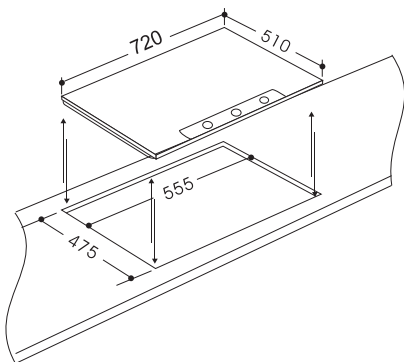




ALF 72

72 cm Built In Hob

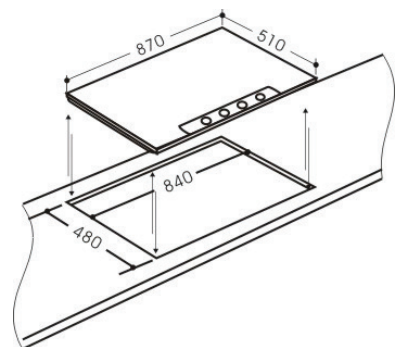
Finish	Toughened Glass 8mm thickness
Design	3 burner
Safety	Flame failure safety device
Ignition	Electric Auto
Pan Support	Cast Iron
Knobs	Metal
Burners	Aluminium
Additional Accessory	Wok adaptor
Cooking Zones	
Wok Burner	2 X 3.0kW
Rapid Burner	-
Semi Rapid	1 X 1.75kW
Auxiliary	-
Article No.	538.02.652
Outer Product Dimensions (WXDXH)	720mm X 510mm X 120mm
Cut out Dimensions (WXDXH)	555mm X 475mm X 100mm
Installation Diagrams	



TRIO G01

90 cm Built In Hob

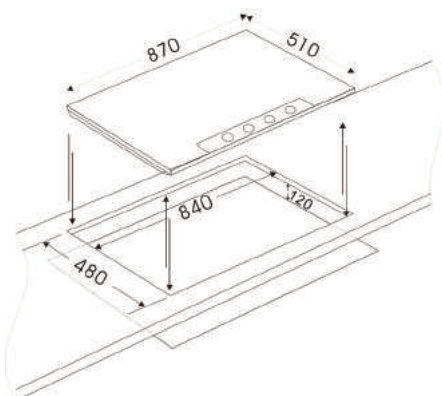
Finish	Toughened Glass 8mm thickness
Design	3 burner
Safety	Flame failure safety device
Ignition	Electric Auto
Pan Support	Cast Iron
Knobs	Metal
Burners	Aluminium
Additional Accessory	Wok adaptor
Cooking Zones	
Wok Burner	2 X 3.0kW
Rapid Burner	-
Semi Rapid	-
Auxiliary	1 X 0.9kW
Article No.	538.01.554
Outer Product Dimensions (WXDXH)	870mm X 510mm X 120mm
Cut out Dimensions (WXDXH)	840mm X 475mm X 100mm
Installation Diagrams	





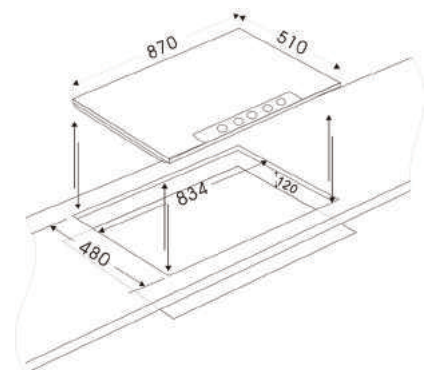
PAULA 90
90 cm Built In Hob

Finish	Toughened Glass 8mm thickness
Design	4 burner
Safety	Flame failure safety device
Ignition	Electric Auto
Pan Support	Cast Iron
Knobs	Metal
Burners	Aluminium
Additional Accessory	Wok adaptor
Cooking Zones	
Wok Burner	2 X 3.0kW
Rapid Burner	-
Semi Rapid	2 X 1.75kW
Auxiliary	1 X 0.9kW
Article No.	538.01.682
Outer Product Dimensions (WXDXH)	870mm X 510mm X 120mm
Cut out Dimensions (WXDXH)	840mm X 480mm X 100mm
Installation Diagrams	



KARA 90
90 cm Built In Hob

Finish	AISI 304 Stainless Steel
Design	5 burner
Safety	Flame failure safety device
Ignition	Electric Auto
Pan Support	Cast Iron
Knobs	Metal
Burners	Aluminium
Additional Accessory	Wok adaptor
Cooking Zones	
Wok Burner	1 X 3.0kW
Rapid Burner	1 X 2.1kW
Semi Rapid	2 X 1.75kW
Auxiliary	1 X 0.9kW
Article No.	538.01.662
Outer Product Dimensions (WXDXH)	870mm X 510mm X 120mm
Cut out Dimensions (WXDXH)	840mm X 480mm X 100mm
Installation Diagrams	



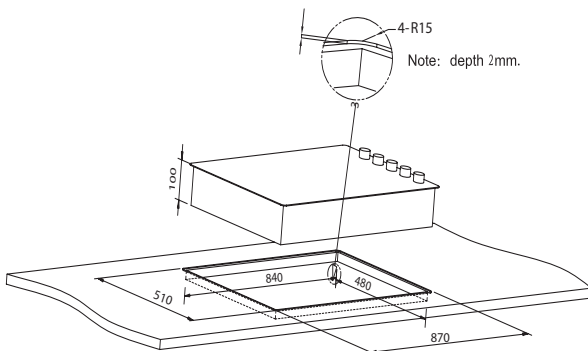


PEENE 90

90 cm Built In Hob

Finish	AISI 304 Stainless Steel
Design	5 burner
Safety	Flame failure safety device
Ignition	Electric Auto
Pan Support	Cast Iron
Knobs	Metal
Burners	Aluminium
Additional Accessory	Wok adaptor
Cooking Zones	
Wok Burner	1 X 3.0kW
Rapid Burner	1 X 2.1kW
Semi Rapid	2 X 1.75kW
Auxiliary	1 X 0.9kW
Article No.	538.01.612
Outer Product Dimensions (WXDXH)	870mm X 510mm X 120mm
Cut out Dimensions (WXDXH)	840mm X 475mm X 100mm

Installation Diagrams

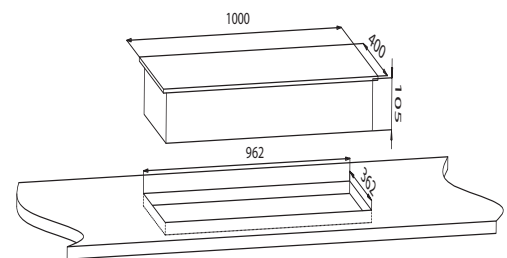


MOSELLE 100

100 cm Built In Hob

Finish	Toughened Glass 8mm thickness
Design	4 burner
Safety	Flame failure safety device
Ignition	Electric Auto
Pan Support	Cast Iron
Knobs	Metal
Burners	Aluminium
Additional Accessory	Wok adaptor
Cooking Zones	
Wok Burner	2 X 3.0kW
Rapid Burner	-
Semi Rapid	2 X 1.75kW
Auxiliary	1 X 0.9kW
Article No.	538.01.649
Outer Product Dimensions (WXDXH)	1000mm X 100mm X 120mm
Cut out Dimensions (WXDXH)	962mm X 362mm X 105mm

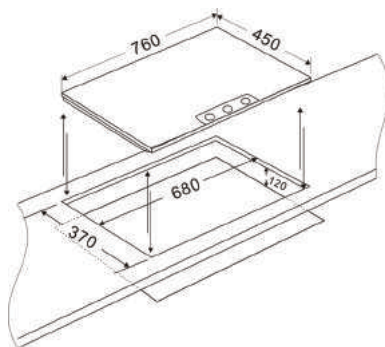
Installation Diagrams





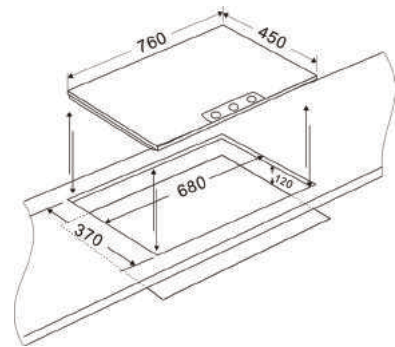
LAURA 76 B
76 cm Built In Hob

Finish	Stainless Steel
Design	3 burner
Safety	Flame failure safety device
Ignition	Electric Auto
Pan Support	Flat Steel
Knobs	Metal
Burners	Coated brass
Additional Accessory	Wok adaptor
Cooking Zones	
Wok Burner	2 X 4.0kW
Rapid Burner	-
Semi Rapid	-
Auxiliary	1 X 1.5kW
Article No.: LPG/NG	538.02.704/538.02.694
Outer Product Dimensions (WXDXH)	760mm X 450mm X 120mm
Cut out Dimensions (WXDXH)	680mm X 370mm X 100mm
Installation Diagrams	



LAURA 76 G
76 cm Built In Hob

Finish	Stainless Steel
Design	3 burner
Safety	Flame failure safety device
Ignition	Electric Auto
Pan Support	Flat Steel
Knobs	Metal
Burners	Brass
Additional Accessory	Wok adaptor
Cooking Zones	
Wok Burner	2 X 4.0kW
Rapid Burner	-
Semi Rapid	-
Auxiliary	1 X 1.5kW
Article No.: LPG/NG	538.02.705/538.02.695
Outer Product Dimensions (WXDXH)	760mm X 450mm X 120mm
Cut out Dimensions (WXDXH)	680mm X 370mm X 100mm
Installation Diagrams	





DEEP FRYER AND BARBEQUE GRILL

CULINARY
EXPERIMENTS
WITH
BARBEQUING
AND DEEP
FRYING





BUILT-IN BARBEQUE & DEEP FRYER

Made of high quality stainless steel these cooking appliances fit snugly into your kitchen counter top providing the elegance of style along with the much desired variations in cooking. The integrated front knob allows you can regulate your cooking or barbequing. As always, this range of Nagold appliances come with the latest market technologies - the deep fryer is equipped with an oil temperature lamp set by a thermostat and the barbeque boasts of a removable enameled griddle and lava stone. So add these futuristic trends of modern cooking to your range and enjoy the true bliss of entertaining your guests with finger-licking delicacies - let your kitchen be the envy of every eye!

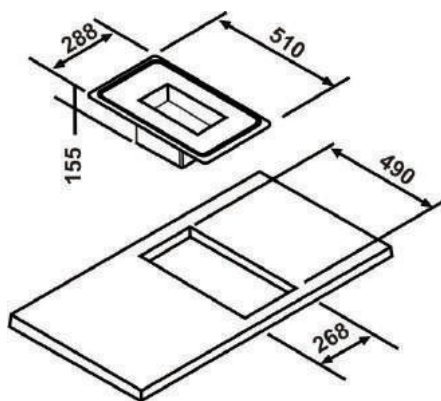




SAUVE 01

30 cm Built-In Deep Fryer

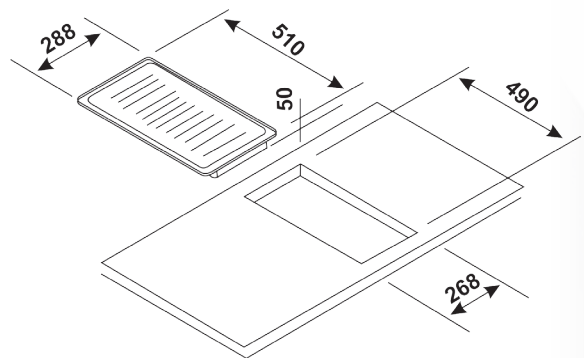
Finish	Stainless Steel 304 Grade
Design	INOX
Control	Knob
Ignition	Electric
Comfort	Stainless Steel Lid Cover
Capacity	2.7L
Cooking	
Indicator	Heating
Article No.	536.02.598
Outer Product Dimensions: (WXDXH)	288mm X 510mm X 155mm
Cut out Dimensions (WXDXH)	268mm X 485mm X 100mm
Installation Diagrams	



BBQ BI 01

30cm Built in Barbecue Grill

Finish	Stainless Steel 304 Grade
Design	INOX
Control	Knob
Ignition	Electric
Comfort	Easy to clean Enamel Grill
Capacity	
Cooking	Lava stone
Indicator	Heating
Article No.	536.02.599
Outer Product Dimensions: (WXDXH)	288mm X 510mm X 50mm
Cut out Dimensions (WXDXH)	268mm X 485mm X 100mm
Installation Diagrams	









SAY NO TO FUMES AND UNWANTED ODOUR!

Nagold's HIGHLY EFFICIENT AND STYLISH range of cooker hoods free your kitchen from unwanted and unhealthy cooking smoke and residues; all that is left to sniff is the welcoming fragrance of appetizing delicacies!

CHOOSE THE RIGHT HOOD FOR YOUR KITCHEN!

The Nagold series of cooker hoods are designed for Indian cooking patterns with extended suction capacities that take away the rigid and pungent odour strong of Indian spices.

Made of high grade stainless steel and available in different designs and finishes, this comprehensive range of cooker hoods caters to all possible mounting options - wall mounted or island mounted; you can choose the one that best matches your need and kitchen layout. They are easy to install and once they find a suitable place in your kitchen, the Nagold cooker hoods require only basic and effortless cleaning!





Stir Fry your chillies without any worries

No more choking and coughing while frying chillies. Whether you are deep frying or stir frying or even doing a heavy cooking, you do not have to worry about smoke getting into your way!

Works well with extended length and efficient with bends!

No more drop in efficiency with extended ducting and additional bends. The auto turbo system with a powerful motor can sustain upto 4.5m in length without any compromise in the smoke ventilation rate.

Wide Smoke extraction Panel

An end to end smoke panel of the hood helps capture 100% oil residue without dropping. The 110° opening of the filter panel helps direct the airborne smoke and grease.

Nautilus design

Triple smoke and oil separation technology envisages the three key stages and levels. The WIDE smoke extraction panel speeds up extraction passageway, due to a bigger cavity, and wide glass panel, the lighter smoke gets separated from the heavy grease and spices trapped in the smoke.

The smoke, which is lighter is thrown out through the ducting passage and the heavy oil and grease settles down slowly in the oil collector.

The Bright LED Lights

The Bright LED Lights illuminate the worktop and are energy efficient.





A REVOLUTIONARY FILTERFREE COOKERHOOD

NAGOLD is the first brand to introduce a unique filter free extraction hood that is effective on the airborne grease. Enjoy the benefits as you welcome the new FILTER FREE AND HEAD FREE cookerhood TERESA 90 into your kitchen

Perimetric Suction

Improves efficiency, saves energy and expands the suction area to the perimeter of the hood. The urbane built of the hoods is not only eye-catching but also the secret behind the ventilation system's extraordinary performance and quiet operation.

Feather Touch Interface with Timer Functions

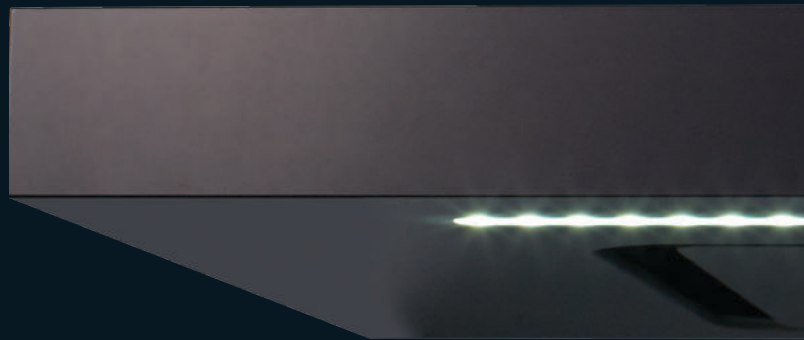
The Hood embeds advanced modern touch technologies to impart an exclusive impression along with precise settings to adjust time and speed levels.

Aluminium Mesh Filters

Aids effective purification of air and is easy to clean and maintain.

LED strip ambient light

The unique LED strips give out a brighter luminosity with a minimal energy consumption thereby contributing to a greener environment.



nagold
— H AFELE



Timer



Lamp



Power



Speed



Power

REGEN

The Nagold J-Series' range of cooker hoods are fashioned with contemporary minimalistic designs coupled with the formidable black insulated glass exterior, easily making them the focal point of your kitchen. These cooker hoods beautifully combine the three founding attributes of the Nagold J-Series - power, elegance and technology to deliver models that are simply second to none.

Variable Speed Controls

Functional and ergonomics, Nagold hood controls are designed for quick and simple operation, and Electronics precision to control the rate of extraction which can be varied to suit different types of cooking, providing efficiency at minimal cost.

LED Lighting System

Our cooker hoods has advanced features packaged in an elegant design with LED lights. The result is high-powered, yet stylish efficiency.

Timer Function

It has an automatic run-on facility, which keeps the range hood working for additional minutes and helps remove lingering cooking odours.

AL Mesh Filters

One of the most important parts of a hood is the filter. The metal filter attracts the grease from the cooking vapours that are extracted, reducing odours, purifying the air and optimising performance. A good filter ensures excellent grease and fume absorption and must also be easy to dismantle for frequent cleaning. For best extraction and purification of the air, the filter must be clean. All our metal grease filters on range hoods can be cleaned in a dishwasher.





123

ENHANCING
ELEGANCE
WITH STYLISH
DESIGN AND
QUALITY

Choose the right suction power for your kitchen

Before buying a chimney, it's imperative to identify the required suction power depending on the size of the kitchen and house.

Normally, an apartment with one to three rooms can suffice with a chimney of 500m³/h suction power to a maximum of 650m³/h. An apartment with bigger rooms calls for chimneys with 650m³/h to 800m³/h suction power.

The kitchen hood should be able to circulate the air 10 times per hour. Hence, the vital formula to derive the optimum suction for your kitchen is as below:

Length (meter) * Width (meter) * Height (meter) * 10

So if your Kitchen is 4m in length, 5m in width and 2.7m in height the suction power required will be as below:

$$4\text{m} * 5\text{m} * 3\text{m} * 10 = 600\text{m}^3/\text{h}$$



ABENS

THE SILENT HOOD

nagold
by HAFELE



SILENCE

Silence has become one of the most important requirements expected in the extraction hood these days. A lower sound level provides a more relaxed and friendly atmosphere.

The sound level of a hood depends on numerous factors, kind of installation, duct diameter and the motor quality.

Nagold presents you the range of wall mounted hood that has used these factors in the most optimum way to substantially reduce noise level's in its iconic models - Abens 90 and Abens 60.





RASO 60

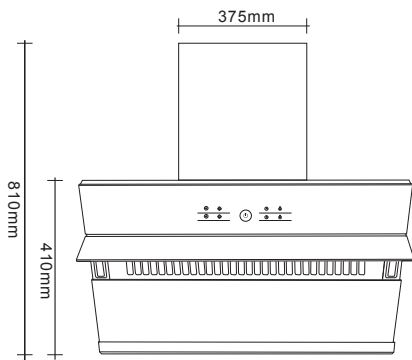
The legendary seasoning of spices, deep grilling and deep frying involved in the Indian cooking requires an efficient system to whisk away the rigid and pungent odours and grease emitted during the cooking process. The Nagold J-Series range of distinct and elegant cooker hoods are powered with robust Perimetric suction capabilities that free your kitchen from unwanted and unhealthy cooking smoke and residues; all that's left to sniff is the welcoming fragrance of appetizing delicacies!



TERESA 90
90 cm Wall Mounted Cooker Hood

Finish	Black Glass
Motor	240W
Control	3 Speed control
Timer Function	Yes
Smoke Panel	Auto Open
Filters	Filter Free
Lighting	LED
Design	Angled Wall Mounted
Product Dimensions (WXD)	900mm X 410mm
Article No.	538.82.213

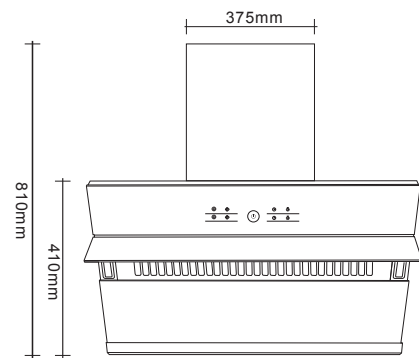
Installation Diagrams



TERESA 90 - White
90 cm Wall Mounted Cooker Hood

Finish	White Glass
Motor	240W
Control	3 Speed control
Timer Function	Yes
Smoke Panel	Auto Open
Filters	Filter Free
Lighting	LED
Design	Angled Wall Mounted
Product Dimensions (WXD)	900 mm X 410 mm
Article No.	538.82.214

Installation Diagrams



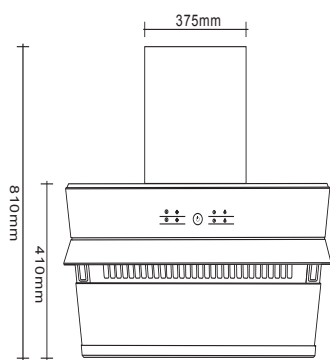


TERESA 60

60 cm Wall Mounted Cooker Hood

Finish	Black Glass
Motor	240W
Control	3 Speed control
Timer Function	Yes
Smoke Panel	Auto Open
Filters	Filter Free
Lighting	LED
Design	Angled Wall Mounted
Product Dimensions (WXD)	600 mm X 515 mm
Article No.	538.82.241

Installation Diagrams

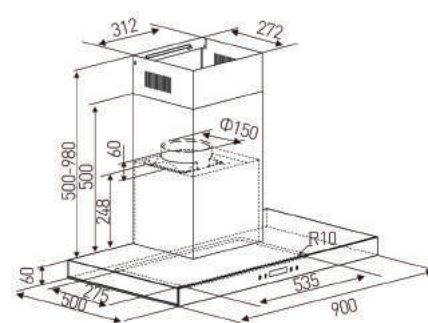


REGEN 90

90 cm Wall Mounted Cooker Hood

Finish	Black Glass
Motor	190W
Control	Electronic touch with display
Extraction Level	3 Speed Level
Timer Function	Yes
Smoke Panel	Perimeteric
Filters	5 Layer Mesh Filter
Lighting	LED Strip
Design	Decorative Glass Design
Product Dimensions (WXHXD)	900mm X 500-980mm X 500mm
Article No.	533.87.233

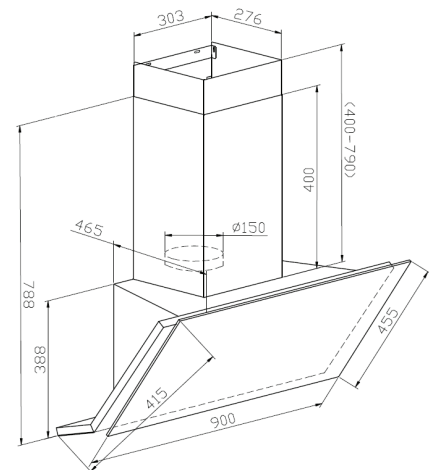
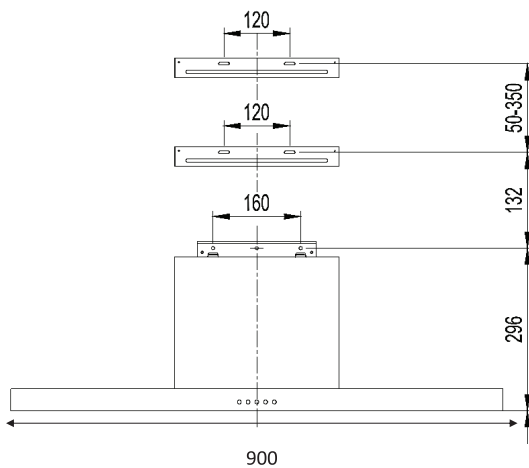
Installation Diagrams





ABENS 90 90 cm Wall Mounted Cooker Hood	
Finish	Black Glass
Motor	240W
Control	Electronic touch with display
Extraction Level	3 Speed Level
Timer Function	Yes
Smoke Panel	3 Aluminium Mesh Filters
Filters	5 Layer Mesh Filter
Lighting	LED
Design	Decorative Glass Design
Product Dimensions (WXHxD)	900mm X 428-760mm X 500mm
Article No.	538.01.503
Installation Diagrams	

ESTA 90 90 cm Wall Mounted Cooker Hood	
Finish	Black Glass
Motor	190W
Control	Electronic touch with display
Extraction Level	3 Speed Level
Timer Function	Yes
Smoke Panel	Perimetric
Filters	5 Layer Mesh Filter
Lighting	LED
Design	Angled Hood
Product Dimensions (WXHxD)	900mm X 388-788mm X 465mm
Article No.	533.87.245
Installation Diagrams	

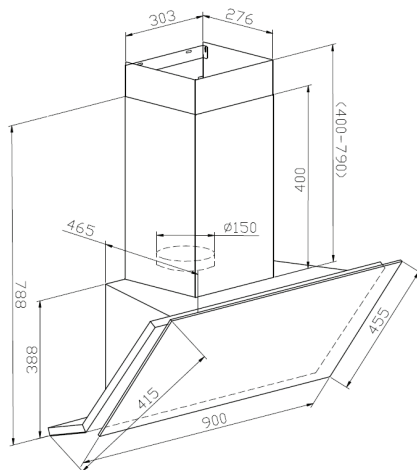




ANGELA 90

90 cm Wall Mounted Cooker Hood

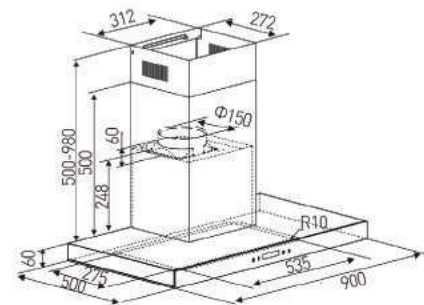
Finish	White Glass
Motor	190W
Control	Electronic touch with display
Extraction Level	3 Speed Level
Timer Function	Yes
Smoke Panel	Perimetric
Filters	5 Layer Mesh Filter
Lighting	LED
Design	Angled Hood
Product Dimensions (WXHxD)	900mm X 388-788mm X 465mm
Article No.	533.87.244
Installation Diagrams	



DATURA 90

90 cm Wall Mounted Cooker Hood

Finish	White Glass
Motor	190W
Control	Electronic touch with display
Extraction Level	3 Speed Level
Timer Function	Yes
Smoke Panel	3 Aluminium Mesh Filters
Filters	5 Layer Mesh Filter
Lighting	LED
Design	Decorative Glass Design
Product Dimensions (WXHxD)	900mm X 560-980mm X 500mm
Article No.	533.87.223
Installation Diagrams	

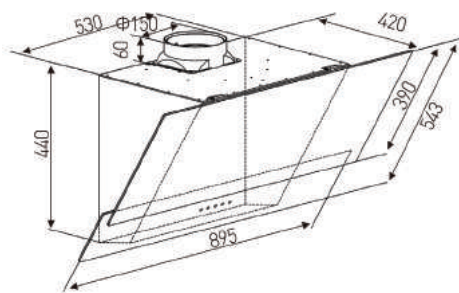




ILZ NERO 90

90 cm Wall Mounted Cooker Hood

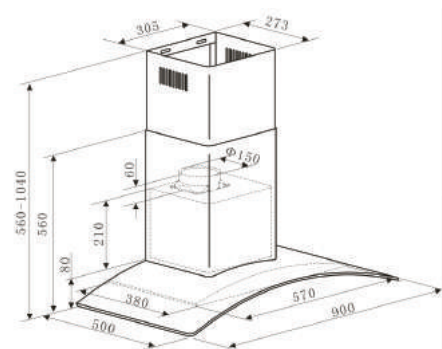
Finish	Black Glass
Motor	190W
Control	Electronic touch control
Extraction Level	3 Speed Level
Timer Function	Yes
Smoke Panel	Perimetric
Filters	5 Layer Mesh Filter
Lighting	LED
Design	Angled Hood
Product Dimensions (WXHxD)	895 mm X 440 mm X 420 mm
Article No.	538.80.203
Installation Diagrams	



CURVE 90

90 cm Wall Mounted Cooker Hood

Finish	Black Glass with Stainless Steel
Motor	190W
Control	Electronic touch with display
Extraction Level	3 Speed Level
Timer Function	Yes
Smoke Panel	3 Aluminium Mesh Filters
Filters	5 Layer Mesh Filter
Lighting	LED
Design	Curved Glass Design
Product Dimensions (WXHxD)	895 mm X 440 mm X 420 mm
Article No.	538.80.052
Installation Diagrams	

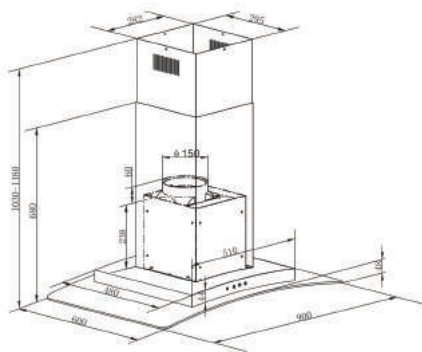




NIERS 90

90 cm Wall Mounted Cooker Hood

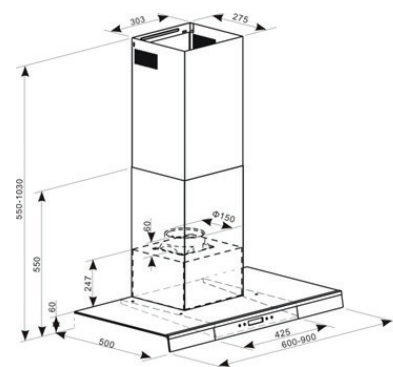
Finish	Stainless Steel with glass
Motor	190W
Control	Electronic buttons
Extraction Level	3 Speed Level
Timer Function	Yes
Smoke Panel	1 Aluminium Mesh Filter
Filters	5 Layer Mesh Filter
Lighting	LED
Design	Extended Glass Design
Product Dimensions (WXHxD)	895 mm X 440 mm X 420 mm
Article No.	533.87.203
Installation Diagrams	



ALDO 90

90 cm Wall Mounted Cooker Hood

Finish	Glass
Motor	190W
Control	Electronic touch with display
Extraction Level	3 Speed Level
Timer Function	Yes
Smoke Panel	1 Aluminium Mesh Filter
Filters	5 Layer Mesh Filter
Lighting	LED
Design	Extended Glass Design
Product Dimensions (WXHxD)	900mm X 500-1050mm X 500mm
Article No.	536.80.223
Installation Diagrams	





NEBEL NERO 90

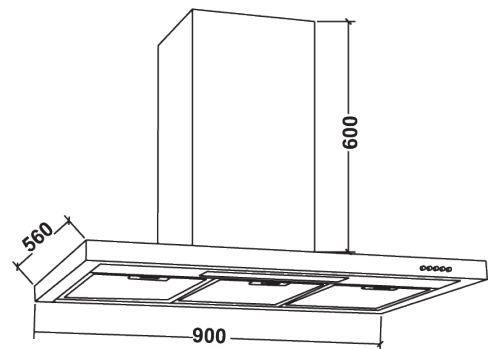
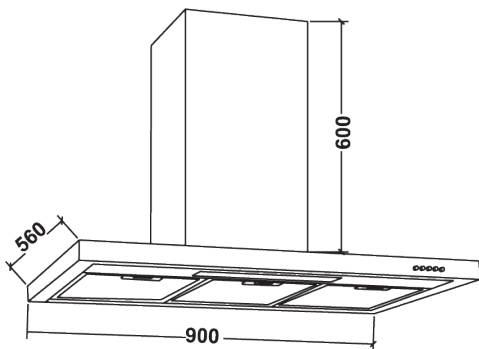
90 cm Wall Mounted Cooker Hood

Finish	Black Metallic
Motor	190W
Control	Push botton control
Extraction Level	3 Speed Level
Timer Function	No
Smoke Panel	3 Aluminium Mesh Filters
Filters	5 Layer Mesh Filter
Lighting	LED
Design	Decorative Metal Design
Product Dimensions (WXHxD)	900mm X 560mm X 400mm
Article No.	533.87.215
Installation Diagrams	

NEBEL INOX 90

90 cm Wall Mounted Cooker Hood

Finish	Black Metallic
Motor	190W
Control	Push botton control
Extraction Level	3 Speed Level
Timer Function	No
Smoke Panel	3 Aluminium Mesh Filters
Filters	5 Layer Mesh Filter
Lighting	LED
Design	Decorative Metal Design
Product Dimensions (WXHxD)	900mm X 560mm X 400mm
Article No.	533.87.214
Installation Diagrams	

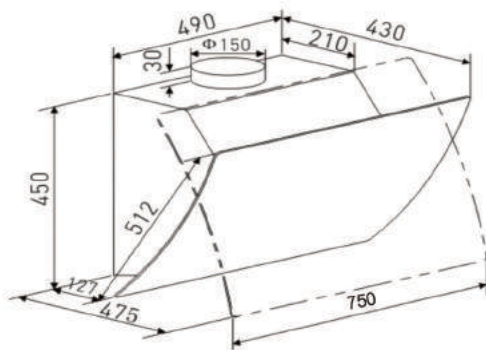




ESTA CURVE 75

75 cm Wall Mounted Cooker Hood

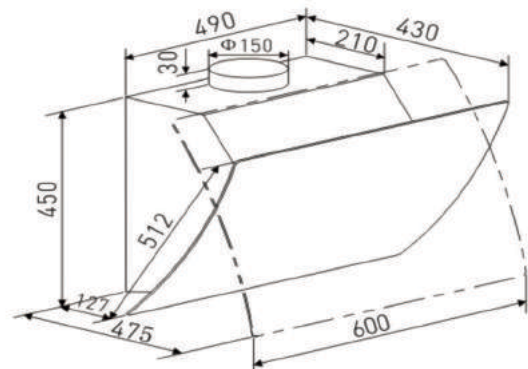
Finish	Black Glass
Motor	190W
Control	Electronic touch with display
Extraction Level	3 Speed Level
Timer Function	Yes
Smoke Panel	Perimetric
Filters	5 Layer Mesh Filter
Lighting	LED
Design	Seamless Curved Angled Hood
Product Dimensions (WXHxD)	750mm X 430mm X 450mm
Article No.	533.87.417
Installation Diagrams	



ESTA CURVE 60

60 cm Wall Mounted Cooker Hood

Finish	Black Glass
Motor	190W
Control	Electronic touch with display
Extraction Level	3 Speed Level
Timer Function	Yes
Smoke Panel	Perimetric
Filters	5 Layer Mesh Filter
Lighting	LED
Design	Seamless Curved Angled Hood
Product Dimensions (WXHxD)	600mm X 430mm X 450mm
Article No.	533.87.412
Installation Diagrams	





ABENS 60

60 cm Wall Mounted Cooker Hood

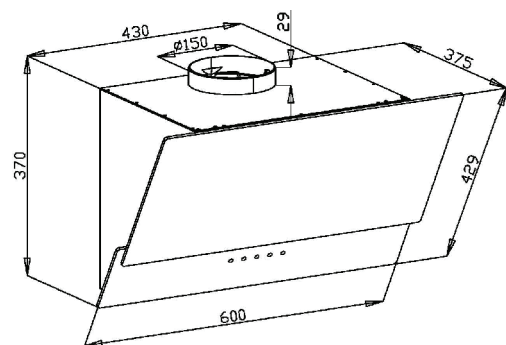
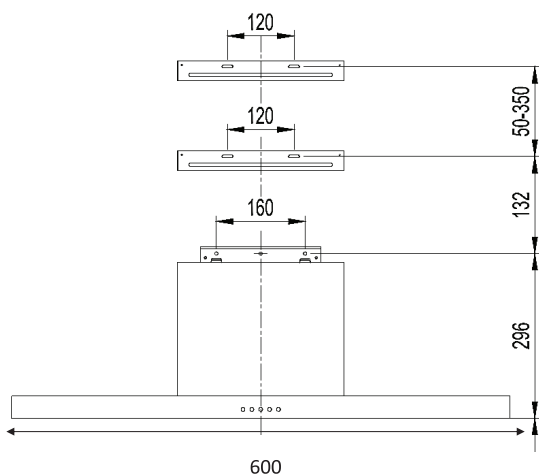
Finish	Black Glass
Motor	240W
Control	
Extraction Level	3 Speed Level
Timer Function	Yes
Smoke Panel	2 Aluminium Mesh Filters
Filters	5 Layer Mesh Filter
Lighting	LED
Design	Decorative Glass Design
Product Dimensions (WXHxD)	600mm X 428-760mm X 500mm
Article No.	538.01.502
Installation Diagrams	



ILZ OPTIMA 60

60 cm Wall Mounted Cooker Hood

Finish	Black Glass
Motor	190W
Control	Electronic touch control
Extraction Level	3 Speed Level
Timer Function	Yes
Smoke Panel	Perimeteric
Filters	5 Layer Mesh Filter
Lighting	LED
Design	Angled Hood
Product Dimensions (WXHxD)	600mm X 375mm X 429mm
Article No.	533.87.422
Installation Diagrams	





ERA 60

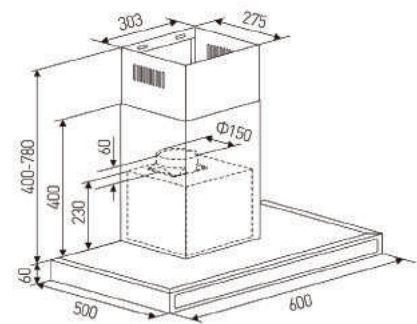
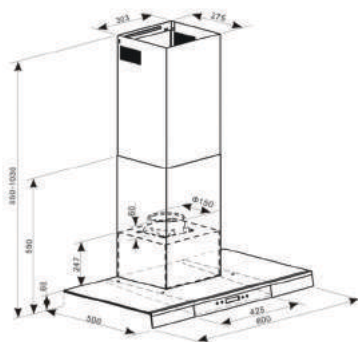
60 cm Wall Mounted Cooker Hood

Finish	Black Glass
Motor	190W
Control	Electronic touch with display
Extraction Level	3 Speed Level
Timer Function	Yes
Smoke Panel	1 Aluminium Mesh Filters
Filters	5 Layer Mesh Filter
Lighting	LED
Design	Extended Glass Design
Product Dimensions (WXHxD)	600mm X 500mm X 1030mm
Article No.	533.87.432
Installation Diagrams	

DATURA 60

60 cm Wall Mounted Cooker Hood

Finish	White Glass
Motor	190W
Control	
Extraction Level	3 Speed Level
Timer Function	Yes
Smoke Panel	2 Aluminium Mesh Filters
Filters	5 Layer Mesh Filter
Lighting	LED
Design	Decorative Glass Design
Product Dimensions (WXHxD)	600mm X 460-780mm X 500mm
Article No.	533.87.222
Installation Diagrams	

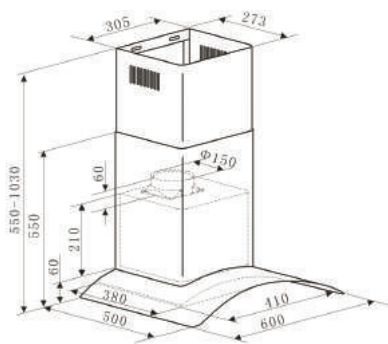




CURVE 60

60 cm Wall Mounted Cooker Hood

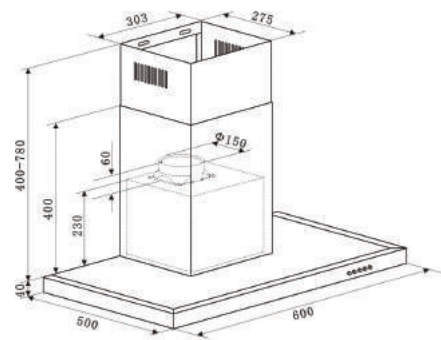
Finish	Black Glass
Motor	190W
Control	
Extraction Level	3 Speed Level
Timer Function	Yes
Smoke Panel	2 Aluminium Mesh Filters
Filters	5 Layer Mesh Filter
Lighting	LED
Design	Curved Glass Design
Product Dimensions (WXHXD)	600mm X 550-1050mm X 500mm
Article No.	538.80.051
Installation Diagrams	



NEBEL NERO 60

60 cm Wall Mounted Cooker Hood

Finish	Black Metallic
Motor	190W
Control	Push button control
Extraction Level	3 Speed Level
Timer Function	No
Smoke Panel	2 Aluminium Mesh Filters
Filters	5 Layer Mesh Filter
Lighting	LED
Design	Decorative Metal Design
Product Dimensions (WXHXD)	600mm X 560mm X 400mm
Article No.	533.87.213
Installation Diagrams	

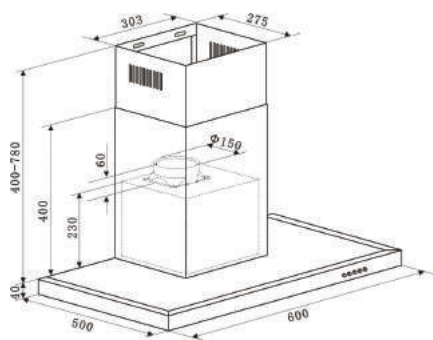




NEBEL INOX 60

60 cm Wall Mounted Cooker Hood

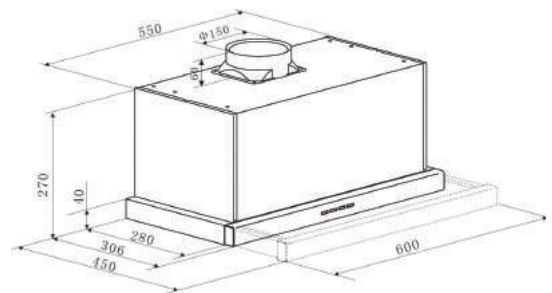
Finish	Black Metallic
Motor	190W
Control	Push button control
Extraction Level	3 Speed Level
Timer Function	No
Smoke Panel	2 Aluminium Mesh Filters
Filters	5 Layer Mesh Filter
Lighting	LED
Design	Decorative Metal Design
Product Dimensions (WXHxD)	600mm X 560mm X 400mm
Article No.	533.87.212
Installation Diagrams	



BRENZ 60

60 cm Wall Mounted Cooker Hood

Finish	Stainless Steel
Motor	190W
Control	Electronic Push Button
Extraction Level	3 Speed Level
Timer Function	Yes
Smoke Panel	Slim Aluminium Mesh Filters
Filters	5 Layer Mesh Filter
Lighting	LED
Design	Built-In
Product Dimensions (WXHxD)	600mm X 270mm X 306-460mm
Article No.	533.87.002
Installation Diagrams	





RASO 60

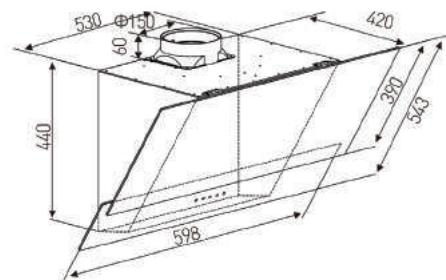
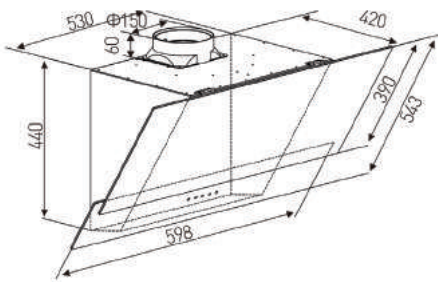
60 cm Wall Mounted Cooker Hood

Finish	White Glass
Motor	190W
Control	Electronic touch control
Extraction Level	3 Speed Level
Timer Function	Yes
Smoke Panel	Perimeteric
Filters	5 Layer Mesh Filter
Lighting	LED
Design	Angled Hood
Product Dimensions (WXHxD)	598mm X 440mm X 420mm
Article No.	538.80.202
Installation Diagrams	

ILZ NERO 60

60 cm Wall Mounted Cooker Hood

Finish	Black Glass
Motor	190W
Control	Electronic touch control
Extraction Level	3 Speed Level
Timer Function	Yes
Smoke Panel	Perimeteric
Filters	5 Layer Mesh Filter
Lighting	LED
Design	Angled Hood
Product Dimensions (WXHxD)	598mm X 440mm X 420mm
Article No.	538.80.201
Installation Diagrams	

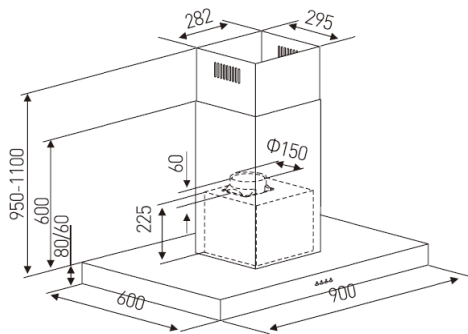




REGEN ISOLA 90

90 cm Island Cooker Hood

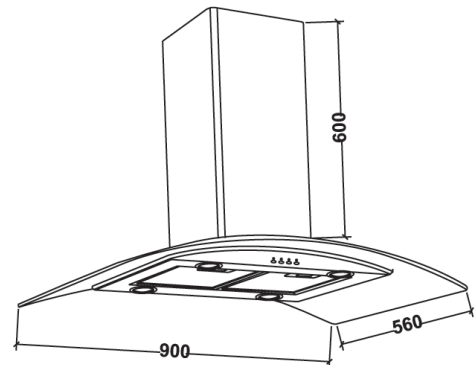
Finish	Black Glass
Motor	190W
Control	Electronic touch with display
Extraction Level	3 Speed Level
Timer Function	Yes
Smoke Panel	Perimetric
Filters	5 Layer Mesh Filter
Lighting	LED Strip
Design	Decorative Glass Design
Product Dimensions (WXHXD)	900mm X 500-980mm X 500mm
Article No.	533.87.713
Installation Diagrams	



CROWN ISOLA 90

90 cm Island Cooker Hood

Finish	Black Glass
Motor	190W
Control	Electronic touch with display
Extraction Level	3 Speed Level
Timer Function	Yes
Smoke Panel	3 Aluminium Mesh Filters
Filters	5 Layer Mesh Filter
Lighting	LED
Design	Decorative Glass Design
Product Dimensions (WXHXD)	900mm X 440-820mm X 500mm
Article No.	538.81.733
Installation Diagrams	







BUILT-IN DISHWASHERS FOR SPIC-N- SPAN HYGIENIC KITCHEN

To complete your kitchen needs, we introduce our range of built-in dishwashers under the Nagold series - you can now live a hassle-free, recreational kitchen experience leaving our machines to sort out the back-work for you!

Nagold's energy efficient built-in dishwashers come as a respite to your cleaning chores in the kitchen; they look sleek and fit smartly into your kitchen cabinetry and work with a silent efficiency - you could almost be oblivious to their operation! Extremely hygienic and diligent, these dishwashers sweep your dishes clean off any food residue or bacteria there by reducing the risk of illness.

With an advanced mechanism and improved technology, Nagold's dishwashers are trained to remove even the most rigid masala stains often left behind by aggressive Indian cooking. They are sensitive to different vessel materials and minimize the risk of breakages in a given cleaning cycle; and the child-lock feature makes these appliances child-proof when left unattended. These appliances come with a dual zone feature which allows you to place sensitive crockery.



High Capacity

These dishwashers can hold an impressive 14 place setting extremely apt for an average Indian family.

Half Load

With the new Nagold dishwashers, you do not need to wait for the full load and can wash half the load with no restrictions of where to stack your dishes. This feature helps save 20% water and 10% energy, perfect for smaller households.

Sound Engineered

The sound reducing material and high quality hydraulics components integrated creates massive insulation within the Nagold dishwashers ensures a silent washing.

Precise and Efficient

These dishwashers are equipped with smart sensors that notice any perceived loss in water and immediately compensate it by ensuring optimal amount and circulation of water.

Intensive mode

With the intensive mode on, the items in the lower rack are subjected to 20% more spray pressure at a higher temperature which is very useful for stubborn oily stains. Heavily soiled items like pots, pans and cookware can be washed in an intensive cycle with higher temperatures which helps break down the toughest stains.

Powerful Jet Spray Arms

The leftover food in the dishes are flushed out of the system through high power jet sprays and fresh water is flushed into the system during the pre and post wash to give a clean wash.

100% Leak Proof

The Nagold Dishwashers come with a 100% leak proof guarantee. If ever a leak occurs, the sensor shuts down the machine immediately.

Sterilisation

The Nagold range of dishwashers delivers a hygienic wash capable of eliminating 99.9% bacteria and germs. The high temperatures of the dishwasher helps remove sticky residue, bacteria and germs.

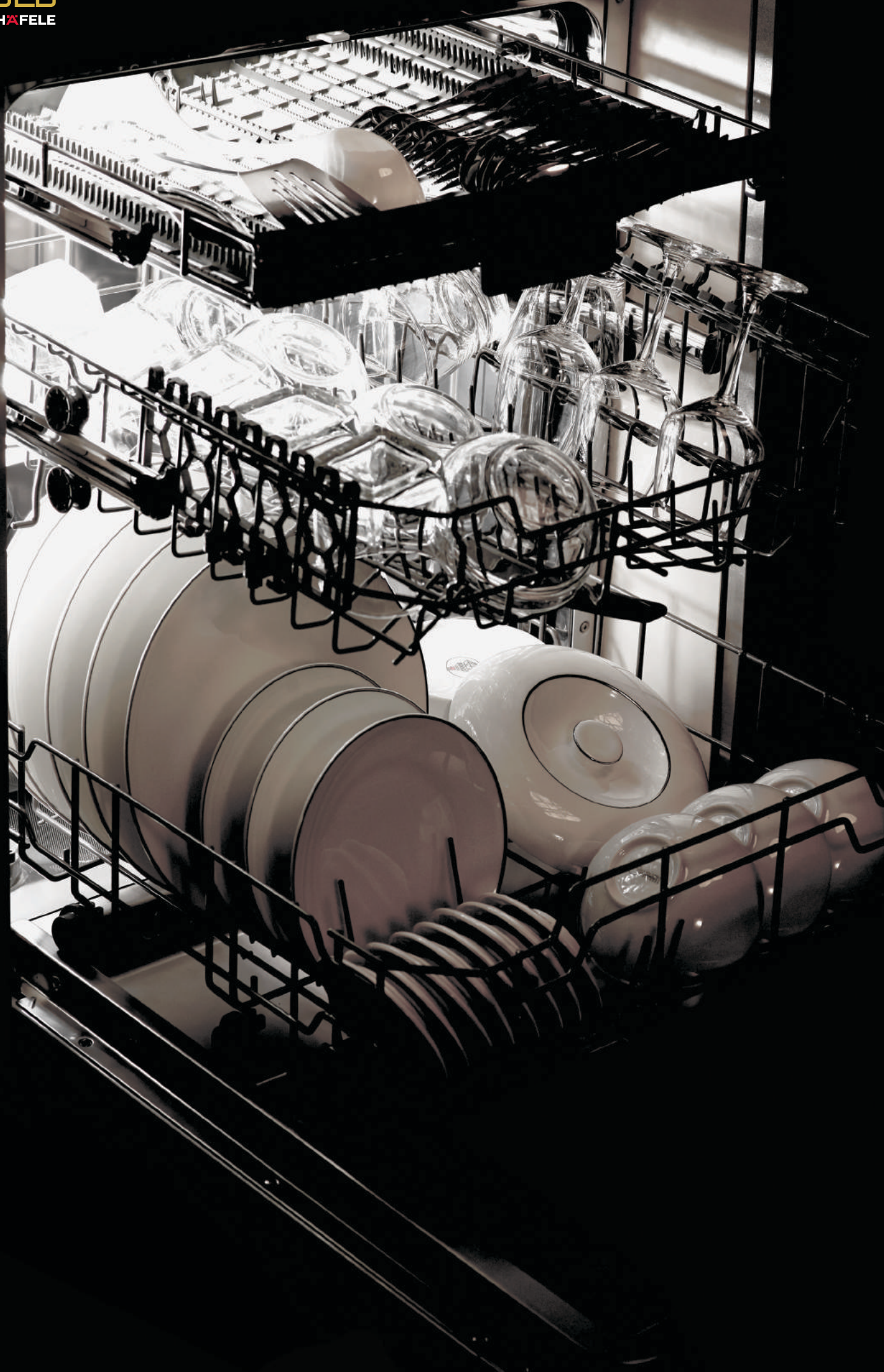


NAGOLD'S BUILT-IN DISHWASHERS THAT CLEAN UP TO 99.9% GERMS!

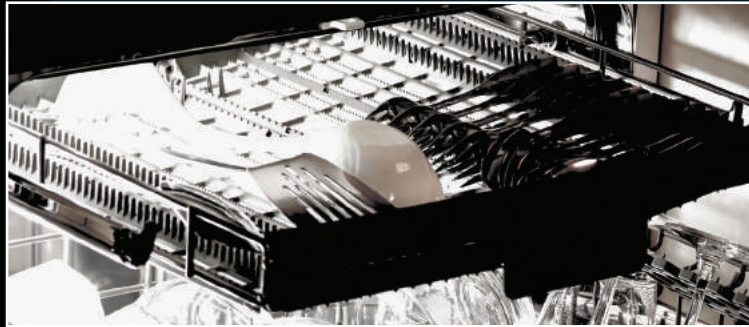


Height Adjustable Upper Basket

The height of the upper basket can be adjusted at different levels, offering flexible stacking of different types and sizes of plates, glasses and other dishes, even when fully loaded.



GET USED TO MORE HYGIENE AND ENHANCED CONVENIENCE



Additional Cutlery Shelf

Nagold Dishwasher offers immense flexibility and convenience for washing knives, forks, and other cutlery items.

Glass Care Program

It is a 40°C gentle washing cycle specifically designed for your delicate glassware.



Height Adjustable SoftTouch Shelves

it provides gentle hold for fragile wine glasses via patented height adjustable mug shelves with soft touch materials.

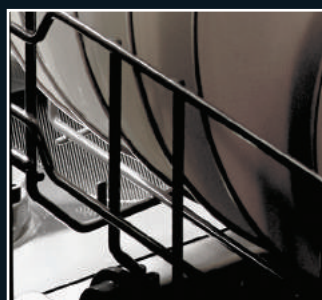


Child Lock

The Nagold Dishwashers include a child lock that prevents children from opening the door.

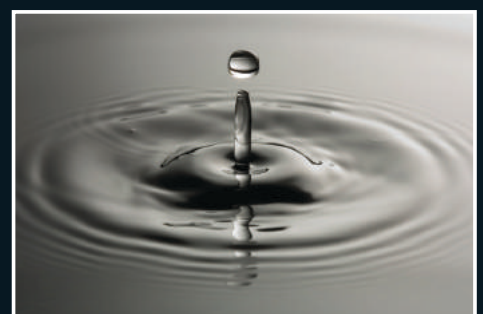
Effective Filtration System

The Fine Filter, Micro Filter and Coarse Filter allow 15% more water to circulate through the system.



Low Water Consumption

The Nagold dishwashers consume as little as 9.5 – 10 Litres of water per wash compared to 60 Litres of water if you wash the same load by hand







Auto

Smart sense wash for light to medium soiled crockery and dishes. Effective of the dried leftovers on the dishes and plates

Wash time : 120-180 Minutes (Depending on wash load)

Intensive

Effective on heavily soiled dishes and utensils, and is effective on the dried leftovers on the dishes.

Wash Time : 180 Minutes

Normal

Program is designed for medium soiled wash loads, such as pots, plates, glasses and lightly soiled pans.

Wash Time: 165 Minutes

ECO

Standard daily cycle for normally soiled loads, such as pots, plates, glasses. The pre-wash is at regular room temperature.

Wash time : 175 mins

1Hour

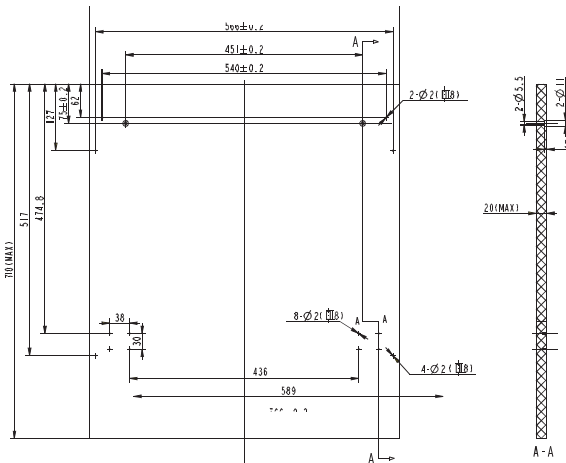
For lightly soiled loads that do not need excellent drying efficiency.

Wash Time : 60 Minutes

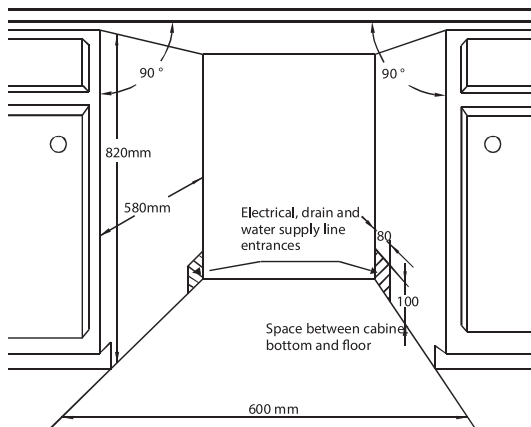
Rapid

A shorter wash for lightly soiled loads that do not need drying.

Wash time : 40 minutes



Shutter Dimension

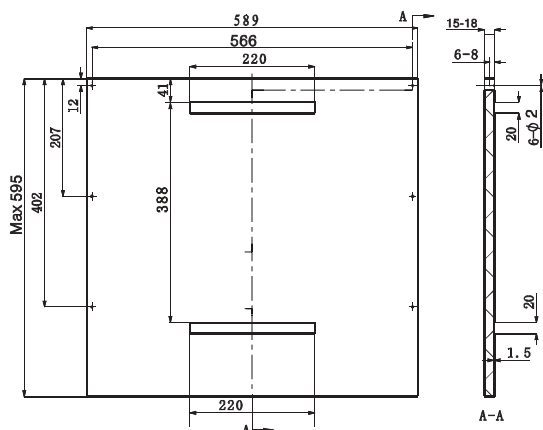


Cabinet Dimension

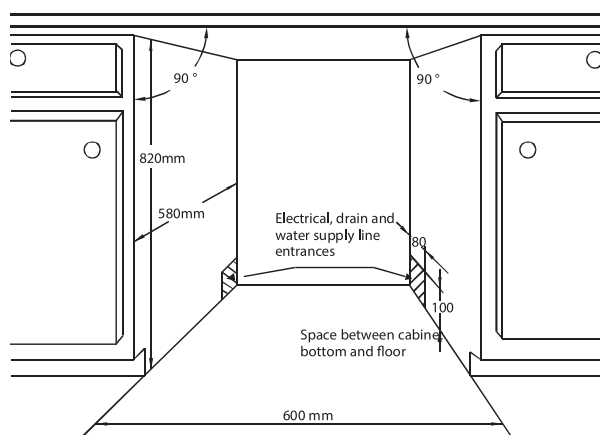
SERENE FI 02

Fully integrated Dish Washer

Type	Fully integrated
Main Features	
Capacity (place settings)	14
Energy Consumption (KWH)	1.06/ cycle
Water Consumption (L)	10L/ cycle
Energy Efficiency (EN50242)	A+
Cleaning Efficiency	A
Drying Efficiency	A
Noise Level	49db
Delay Start	3/6/9/12hours
Third Layer Cutlery Basket	Yes
Half Load	Yes
Height adjustable upper basket	Yes
Child Lock	No
Program	
Intensive	yes
Normal	yes
Eco	yes
1 Hour Express	yes
Glass	yes
Rapid	yes
Pre-Soak	Integrated with Program
Controls	
Type of control(Electronic\Mechanical)	Electronic Control
Push button functions	Program,On/Off,half load,delay start
Indicators	
Functions of Indicator	Program,half load,rinse,salt,delay time,Power,error codes
Functions of Display	-
Technical & Internal Specification	
Removable top	No
Type of heating element	Hidden
Power of heat element(230V)	1800W
Filter type	E4 filter system
Filter material	Plastic+stainless steel
Tub material	AISI304
Color of basket(white/grey)	Grey
Spray arms	Upper & Lower & Top
Water softener	Yes, Electronic Adjustable
Drying system	residual heating dry
Type of inlet hose	Standard
Inlet hose length	1500mm
Outlet hose length(the all long)	1600mm
Outlet hose length(Expose length outside the machine)	1400mm
Approvals(TUV,EMC,etc.)	CE/GS/EMC
Connected load (W)	1760~2100
Voltage / (V)	220~240
Frequency (Hz)	50
Product Dimension (DXWXH)	598mmX570mmX815mm
Article Code	538.21.150



Shutter Dimension



Cabinet Dimension

SERENE SI 02

Semi-integrated Dish Washer

Type Semi-integrated

Main Features

Capacity (place settings)	14
Energy Consumption (KWH)	1.06/ cycle
Water Consumption (L)	10L/ cycle
Energy Efficiency (EN50242)	A+
Cleaning Efficiency	A
Drying Efficiency	A
Noise Level	49db
Delay Start	24hours
Third Layer Cultery Basket	Yes
Half Load	Yes
Height adjustable upper basket	Yes
Child Lock	Yes
Program	7
Intensive	yes
Normal	yes
Eco	yes
1 Hour Express	yes
Glass	yes
Rapid	yes
Pre-Soak	Yes

Controls

Type of control(Electronic\ Mechanical)	Electronic Control
Push button functions	on/off,Program,start/pause,delay,half load,Child Lock

Indicators

Functions of Indicator	Program,salt,Low Rinse Aid,Child Lock,half load,Open faucet alarm
Functions of Display	remaining time,error codes,delay

Technical & Internal Specification

Removable top	No
Type of heating element	Hidden
Power of heat element(230V)	1800W
Filter type	E4 filter system
Filter material	Plastic+stainless steel
Tub material	AISI304
Color of basket(white/grey)	Grey
Spray arms	Upper & Lower & Top
Water softener	Yes, Electronic Adjustable
Drying system	residual heating dry
Type of inlet hose	Standard
Inlet hose length	1500mm
Outlet hose length(the all long)	1600mm
Outlet hose length(Expose length outside the machine)	1400mm
Approvals(TUV,EMC,etc.)	CE/GS/EMC
Connected load (W)	1760~2100
Voltage / (V)	220~240
Frequency (Hz)	50
Product Dimension (DXWXH)	598mmX570mmX815mm
Article Code	538.21.050



AQUA 12

Freestanding Dish Washer

Size/Type(Freestanding/Fully integrated/Semi-integrated)	Freestanding
Main Features	
Capacity (place settings)	12
Energy Consumption (KWH)	1.05/cycle
Water Consumption (L)	12L/cycle
Energy Efficiency (EN50242)	A+
Cleaning Efficiency	A
Drying Efficiency	A
Noise Level	54db
Delay Start	-
Third Layer Cutlery Basket	-
Half Load	Yes
Height adjustable upper basket	Yes
Child Lock	Yes
Program	
Intensive	yes
Normal	-
Eco	yes
1 Hour Express	yes
Glass	yes
Rapid	-
Pre-Soak	Yes
Controls	
Type of control(Electronic\Mechanical)	Electronic Control
Push button functions	on/off,Program,start/pause,delay,half load,Child Lock
Indicators	
Functions of Indicator	Program,salt,Low Rinse Aid,Child Lock,half load,Open faucet alarm
Functions of Display	remaining time,error codes,delay
Technical & Internal Specification	
Removable top	No
Type of heating element	Hidden
Power of heat element(230V)	1800W
Filter type	E4 filter system
Filter material	Plastic+stainless steel
Tub material	AISI304
Color of basket(white/grey)	Grey
Spray arms	Upper & Lower
Water softener	Yes, Electronic Adjustable
Drying system	residual heating dry
Type of inlet hose	Standard
Inlet hose length	1500mm
Outlet hose length(the all long)	1600mm
Outlet hose length(Expose length outside the machine)	1400mm
Approvals(TUV,EMC,etc.)	CE / TUV
Connected load (W)	1800W
Voltage / (V)	220~240
Frequency (Hz)	50
Product Dimension (DXWXH)	598mmX600mmX850mm
Article Code	538.21.160





SMART
MACHINE FOR
SMARTER
LIFESTYLE





IT'S GOOD TO HAVE FUN WITHOUT WORRYING ABOUT STAINS

Leave the "stain fight" to the experts!

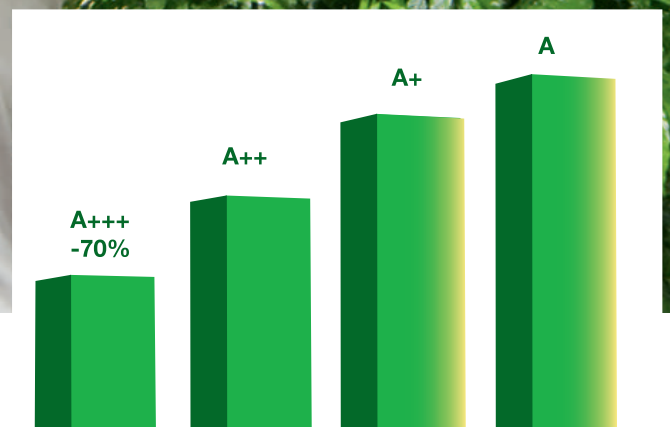


Nagold washing machine's revolutionary and smart programs remove different types of tough stains with three different temperature level options for heavy to light stains.

The intensive program provides a longer washing cycle, higher washing temperatures, increased tumbling action, special soaking phases and longer rinse cycle to ensure superior cleaning performance.

USING ENERGY AND RESOURCES EFFICIENTLY IS MORE IMPORTANT THAN EVER

Nagold washing machines protect nature with this environmental vision. Nagold presents **A+++** washing machines that are 70% more energy efficient than a standard energy rated machine.



Advanced Display & Programs

16 Smart Wash programs to suit your requirement



Liquid Detergent Compartment

The special compartment is designed for alternative detergent use, and is compatible with liquid and concentrated liquid detergents



Most Efficient Spin Speed

With a spin speed of 1400RPM, Nagold washers leave less than 50% of residual moisture, that dries off in no time!



Super-wide Door

The 30cm wide door opening for easy loading & unloading of clothes

BabyCare™

ENJOY ALLERGEN FREE CLEANING !



The specially developed antiallergenic BabyCare™ program targets to provide antiallergenic laundry for your sensitive skin and for your baby. You can get maximum hygienic cleansing results by the help of additional drum movements and sensitive temperature control. Temperature is continuously maintained at a certain level throughout the wash cycle.

Quick'15 Program

Special program is optimised to wash lightly soiled 2-3 kg garments in just 15 minutes.



Special Wool Program

Provides extra care for your hand wash only labelled wools with gentler mechanical movements and a warmer rinsing cycle.



Temperature Control

Our preset programs have been designed with optimum temperature levels. You may chose from 30°C – 90°C



Sports Wear Wash

This program washes at 40°C, and is particularly recommended for lightly soiled synthetic or cotton blend gym clothes.







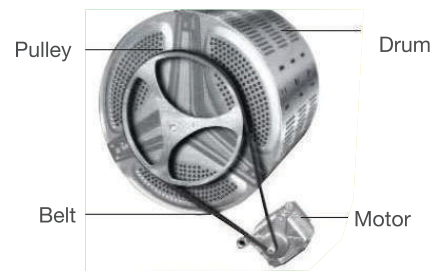
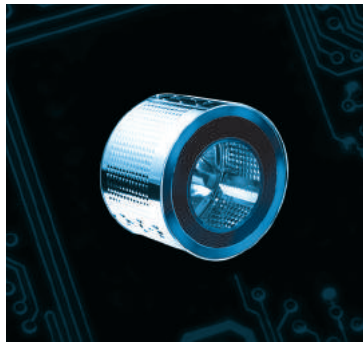
Smart Foam Control

Can detect if there's too much foam in your washing machine and reduces it automatically, caring for your skin and improving the quality of your laundry.



Auto Restart

Specially developed auto restart feature allows the washing machine to continue the wash cycle in safe conditions when the electricity resumes after the cut-offs



Smart Motor

Nagold's NSmart™ motor technology cleans even the toughest stains - with less noise and higher durability.



Overflow Control

The water level sensor measures water level deviations in the drum and drains automatically when the required level is exceeded.



WASHER DRYER COMBO

100% DRY
JUST WASH
AND WEAR





Nagold's Washer Dryer Combo

CORAL 07W, eliminates the need for a separate washing machine and clothes dryer. With easy load options and smart programs, you get the maximum flexibility for your Laundry work for different kinds of Clothes like, cotton, wool, synthetic and delicate clothes like silk and satin. Also get freedom from draining the water from the condenser box after every wash. Nagold's Washer dryer uses the common outlet to drain out the moisture during the drying cycle to give you a complete hassle free laundry job

A COMPLETE LAUNDRY CARE SOLUTION



Get Completely Dry Clothes Within Little Time!

Nagold washer dryer combo is one of the most efficient combo machines with condenser drying technology giving you the maximum flexibility to choose time or energy saving programs. Choose the 24% faster time saving program to dry 4kgs of laundry in 175 minutes.

Multiple Drying Levels

From jeans to woolens, now get 100% drying



Super-Wide Door

310mm wide door opening for easy loading & unloading of clothes



Liquid Detergent Compartment

The special compartment is designed for alternative detergent use, and is compatible with liquid and concentrated liquid detergents.



Anti Crease Function

The anti-crease function automatically follows the drying cycle. This function provides ready-to-go laundry, since the gentle drum action separates the laundry and ensures that it remains crease-free.

Quick'30 Program

special program is optimised to wash lightly soiled garments in just 30 minutes.



SMART
PROGRAMS
FOR WORRY
FREE LIFE!

Special Wool Program

Provides extra care for your hand wash only labelled wools with gentler mechanical movements and a warmer rinsing cycle.



16 Smart Wash Programs

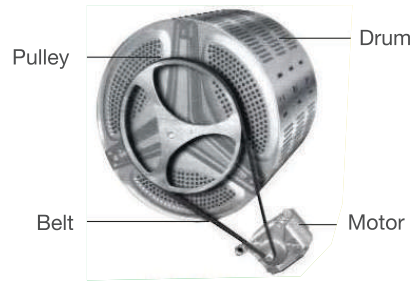
16 Smart Wash programs to obtain the best wash results for cotton, synthetic, woolens and delicate clothes.

Condenser Drying Technology

Nagold washer-dryer combo has a condenser dryer that dries the clothes more efficiently than an air vented dryer. The condensed water is drained out automatically through the main water outlet. So not need to manually drain out the water.

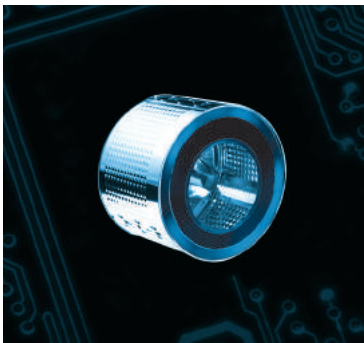
Smart Foam Control

Can detect if there's too much foam in your washing machine and reduces it automatically, caring for your skin and improving the quality of your laundry.



Smart Motor

Nagold's NSmart™ motor technology cleans even the toughest stains-with less noise and higher durability.



Auto Restart

Specially developed auto restart feature allows the washing machine to continue the wash cycle in safe conditions when the electricity resumes after the cut-offs.






Overflow Control

The water level sensor measures water level deviations in the drum and drains automatically when the required level is exceeded.





		CORSICA 07W	CORSICA ⁺ 085W	CORAL 07W
				
Power Supply		220~240V,50Hz	220~240V,50Hz	220~240V,50Hz
Capacity		7kg	8.5kg	7kg
Energy Consumption				
Energy Efficiency Class Washing		A+++	A+++	A++
Drying Efficiency Class		—	—	B
Wash Ratio		A	A	—
Moisture Ratio (%)		B	B	99.99% Dry
Power Consumption (Annual)		0.8 kWh/annum	0.8 kWh/annum	1.19 kWh/Cycle
Water Consumption (Annual)		42.8L/annum	44L/annum	54.46 L/Cycle
Features				
Max. Spin Speed		1200RPM	1400RPM	1200RPM
Program Knob Selection		√	√	√
Door Open Angle		180°	180°	135°
Door Diameter (Inner)		30 cm	30 cm	31cm
Volume Of Inner Tub		45.5L	48L	53.6L
Standard Cycle Time		200 min	200 min	174min
Programmes				
Knob selection	Dry	—	—	√
	Cotton cold (20)	√	√	√
	Cotton 40	√	√	√
	Cotton 60	√	√	√
	Cotton 90 (Intensive)	√	√	√
	Synthetic cold	√	√	√
	Synthetic 40	√	√	√
	Synthetic 60	√	√	√
	Delicate	√	√	√
	Wool cold	√	√	√
	Wool 40	√	√	√
	Sports™	√	√	—
	Baby Care™	√	√	—
	My Cycle™	√	√	—
	Quick 15	√	√	—
	Quick 30	—	—	√
	ECO WASH	√	√	—
	cotton prewash	—	—	√
Rinse	√	√	√	
spin	√	√	√	
Drain	√	√	√	
Button Function	Strong Dry	—	—	√
	Light Dry	—	—	√
	ECO WASH	—	—	√
	Intensive	—	—	√
	Spin Speed Selection	√	√	√
	Pre Wash	√	√	√
	Child Lock (Combined)	ACTIVE	ACTIVE	AUTO
Performance & Safety				
Display	Display Type	E-LED	E-LED	E-LED
	Display Color	Red	Red	RED
	Fault Check Display	√	√	√
Performance	PTC Door Lock	√	√	√
	Anti Foam Control	√	√	√
	Memory Of Power Interrupt	√	√	√
Safety	Overheating Control	√	√	√
	Auto Balance System	√	√	√
	Overflow Control	√	√	√
Specifications				
Noise Level(dB)	Wash	58	58	62
	Spin	76	76	76
Dimensions (W x D x H)	Net	595 x 495 x 855 mm	595 x 575 x 855 mm	595 x 575x 850 mm
	Gross	650 x 575 x 885 mm	650 x 660 x 885 mm	680 x 660 x 875 mm
Weight(kg)	Net	61kg	65kg	79 kg
	Gross	65kg	68kg	83 kg

**Mumbai Design Centre:**

#2 Filix Building, Opp. Asian Paints,
L.B.S. Marg, Bhandup (West),
Mumbai - 400 078.
Tel.: 022 2596 9660/ 2596 9787/
2594 7305

Mumbai Regional Office:

Unit No. 205 Wing "E"
2nd Floor, Corporate Avenue,
Chakala, Andheri (East)
Mumbai - 400093
Tel.: 022 61197800

New Delhi Design Centre:

D-89 , 1st Floor, Okhla Phase-I,
New Delhi - 110 020.
Tel.: 011-66574999 • Fax: 011-41605482.

Bangalore Design Centre:

No. 2/1, "Shiv Manor",
Langford Road, Shanthi Nagar,
Bangalore - 560 027.
Tel.: 080 4132 6116 • Fax: 080 4132 6226.

Hyderabad Design Centre:

Park Side, 8-2-348/3/4, Road No. 3,
Above Almond House, Banjara Hills,
Hyderabad - 500 034.
Tel.: 040 6666 8851 • Fax: 040 6666 8852.

Kolkata Design Centre:

PS PACE, Premises No. 1/1A,
Mahendra Roy Lane, Topsia,
Kolkata - 700 046.
Mob.: 033 40086814 / 033 40089268
• Fax: 033 24988020.

Chennai Design Centre:

New No. 20, (Old No. 63), 1st Main Road,
Besant Nagar, Chennai - 600 090.
Tel.: 044 - 4215 1542 • Fax: 044 2446 0922.

Pune Office:

Office No. 12, Vastushree Complex,
Survey No.587, Near Hyde Park,
Gultekdi, Market Yard,
Pune - 411 037.
Tel.: 020 2426 6264
• Fax: 020 2426 6274.

Ahmedabad Office:

Office No. 302, 3rd Floor,
Shangrila Arcade,
Near Shyamal Cross Road, Satellite,
Ahmedabad - 380015
Tel.: +91 982 580 9959

Hafele Design Centre, Colombo:

No. 52, Nandana Gardens, Colombo - 04
(On Duplication Road), Sri Lanka
Tel.: +94 112 500 501
Fax: +94 112 500 553

**Hafele Design & Training Centre,
Moratuwa:**

448, Galle Road,
Rawathawatta, Moratuwa, Sri Lanka.
Tel.: +94 112 644 600

Hafele Boutique, Kandy:

747A, Sirimawo Bandaranayaka, Mawatha,
Mulgampola, Kandy, Sri Lanka.
Tel./Fax: +94 812 223 338

Bangladesh:

Tilottama Design Studio
Road: 138, House: 8/A, Gulshan 1,
Dhaka - 1212
Tel.: 880-2-9886526
Mob.: 8801-672434394

Nepal:

Monika Home Decor
Kathmandu Plaza, Kamalddhi,
Kathmandu, Nepal
Tel.: 00 9851 030 556/
00 977 9818496082/
00 977 9851030556

Bhutan:

S C & K Marketing and Sales
First Floor, Hotel 89 Building
Chorten Lam, Thimphu, BHUTAN
Tel.: 975 2 333419 / 77114228 /
17600663

H'AFELE

Mumbai Corporate Office:

Office No. 3, Buliding "A", BETA,
I Think Techno Campus, Off J.V.L.R,
Opp. Kanjurmarg East, Mumbai – 400 042.
Tel.: 022 6142 6100 • Fax: 022 6702 0531.

For Enquiries SMS "HAFELE" to 56070

Toll Free Customer Care: 1800 266 6667
customercare@hafeleindia.com
info@hafeleindia.com



<http://facebook.com/hafeleindia>



<http://www.twitter.com/hafeleindia>

